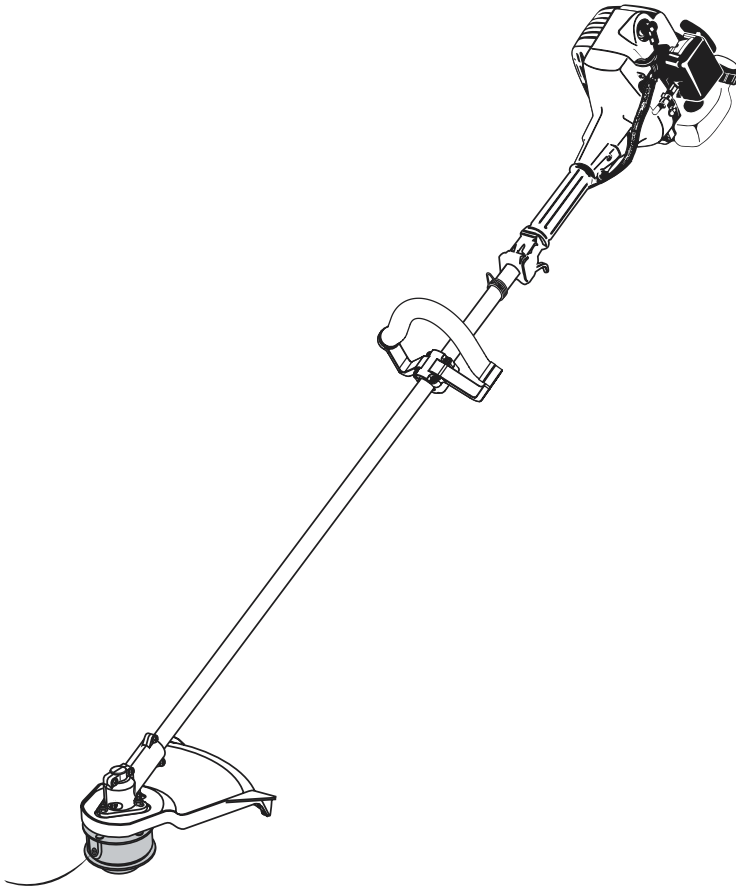


# Cub Cadet

## Operator's Manual



2-Cycle Trimmer  
Model CC 3000

### IMPORTANT: READ SAFETY RULES AND INSTRUCTIONS CAREFULLY

Warning: For users on U.S. Forest Land and in the states of California, Maine, Oregon and Washington. All U.S. Forest Land and the state of California (Public Resources Codes 4442 and 4443), Oregon and Washington require, by law that certain internal combustion engines operated on forest brush and/or grass-covered areas be equipped with a spark arrester, maintained in effective working order, or the engine be constructed, equipped and maintained for the prevention of fire. Check with your state or local authorities for regulations pertaining to these requirements. Failure to follow these requirements could subject you to liability or a fine. This unit is factory equipped with a spark arrester. If it requires replacement, ask your Cub Cadet dealer to install the Accessory Part #791-181696 Spark Arrester Kit or contact the service department.

**Cub Cadet LLC P.O. Box 361131 Cleveland, OH 44136-0019**

FORM 769-00023 (11/01) (10700 rev. P00)  
Printed in U.S.A.

## **TABLE OF CONTENTS**

Content	Page
Section 1: Safety . . . . .	3
Section 2: Know Your Unit . . . . .	7
Section 3: Assembly . . . . .	8
Section 4: Oil and Fuel . . . . .	9
Section 5: Operation . . . . .	10
Section 6: Maintenance . . . . .	12
Section 7: Troubleshooting . . . . .	18
Section 8: Specifications . . . . .	19
Section 9: Warranty . . . . .	20

### **TO THE OWNER**

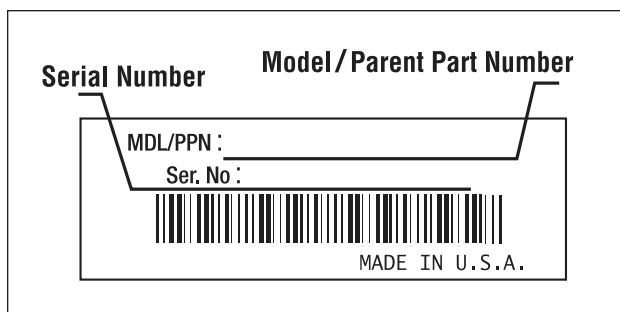
Thank you for buying this quality product. This modern outdoor power tool will provide many hours of useful service. You will find it to be a great labor-saving device. This operator's manual provides you with easy-to-understand operating instructions. Before starting or operating this equipment, read the whole manual and follow all the instructions to keep your new outdoor power tool in top operating condition.

All information, illustrations and specifications in this manual are based on the latest product information available at the time of printing. We reserve the right to make changes at any time without notice. Service on this unit both within and after the warranty period should be performed only by a Cub Cadet dealer. Proof of purchase will be required for warranty service.

### **FINDING MODEL NUMBER**

Before you start assembling your new equipment, please locate the model plate on the equipment and copy the information from it in the space provided below. This information is important if you need help from your Cub Cadet dealer.

- You can locate the model number on the shaft housing of the unit next to the On/Off Stop Control Switch. A sample model plate is explained below. For future reference, please copy the model number and the serial number of the equipment in the space below.



Copy the model / parent part number here: \_\_\_\_\_

Copy the serial number here: \_\_\_\_\_

### **CALLING CUSTOMER SUPPORT**

If you have difficulty assembling this product or have any questions regarding the controls, operation or maintenance of this unit, please call the Customer Dealer Referral Line.



Call 1-877-282-8684 to reach the Customer Dealer Referral Line. Please have your unit's model number and serial number ready when you call. See previous section to locate this information.

Copyright© 2001 Cub Cadet LLC  
All Rights Reserved

For more details about your unit, visit our website at [www.cubcadet.com](http://www.cubcadet.com)

# Safety

The purpose of safety symbols is to attract your attention to possible dangers. The safety symbols, and their explanations, deserve your careful attention and understanding. The safety warnings do not by themselves eliminate any danger. The instructions or warnings they give are not substitutes for proper accident prevention measures.

## SYMBOL MEANING



**SAFETY ALERT SYMBOL:** Indicates danger, warning, or caution. Attention is required in order to avoid serious personal injury. May be used in conjunction with other symbols or pictographs.

**NOTE:** Advises you of information or instructions vital to the operation or maintenance of the equipment.

## DANGER

**Failure to obey a safety warning will result in serious injury to yourself or to others. Always follow the safety precautions to reduce the risk of fire, electric shock, and personal injury.**

## WARNING

**Failure to obey a safety warning can result in injury to yourself and others. Always follow the safety precautions to reduce the risk of fire, electric shock, and personal injury.**

## CAUTION

**Failure to obey a safety warning may result in property damage or personal injury to yourself or to others. Always follow the safety precautions to reduce the risk of fire, electric shock, and personal injury.**

## • IMPORTANT SAFETY INFORMATION •



**WARNING:** Engine Exhaust, some of its constituents, and certain vehicle components contain or emit chemicals known to State of California to cause cancer and birth defects or other reproductive harm.

### READ ALL INSTRUCTIONS

#### BEFORE OPERATING

- Read the instructions carefully. Be familiar with the controls and proper use of the unit.
- Do not operate this unit when tired, ill, or under the influence of alcohol, drugs, or medication.
- Children and teens under the age of 15 must not use the unit, except for teens guided by an adult.
- Inspect the unit before use. Replace damaged parts. Check for fuel leaks. Make sure all fasteners are in place and secure. Replace cutting attachment parts that are cracked, chipped, or damaged in any way. Make sure the cutting attachment is properly installed and securely fastened. Be sure the cutting attachment shield is properly attached, and positioned as recommended. Failure to do so can result in personal injury to the operator and bystanders, as well as damage to the unit.
- Use only 0.105 inch (2.67 mm) diameter genuine manufacturer's replacement line. Never use metal-reinforced line, wire, chain, or rope, etc. These can break off and become a dangerous projectile.
- Be aware of the risk of injury to the head, hands and feet.
- Clear the area to be cut before each use. Remove all objects such as rocks, broken glass, nails, wire, or string which can be thrown or become entangled in the cutting attachment. Clear the area of children, bystanders, and pets. At a minimum, keep all children, bystanders and pets outside a 50 feet (15 m) radius; there still may be a risk to bystanders from thrown objects. Bystanders should wear eye protection. If you are approached, stop the engine and cutting attachment immediately.
- Squeeze the throttle control and check that it returns automatically to the idle position. Make all adjustments or repairs before using unit.
- Do not attach or operate this unit with any type of brushcutting blade or brushcutting attachment as the unit is currently setup. A brushcutter accessory kit is available by the manufacturer. See **Section 6, Maintenance** for the accessory part number. Use only the manufacturer's accessory kit.

#### SAFETY WARNINGS FOR GAS TRIMMERS

**WARNING:** Gasoline is highly flammable, and its vapors can explode if ignited. Take the following precautions:

- Store fuel only in containers specifically designed and approved for the storage of such materials.

## Safety (continued)

---

- Always stop the engine and allow it to cool before filling the fuel tank. Never remove the cap of the fuel tank, or add fuel, when the engine is hot. Never operate the unit without the fuel cap securely in place. Loosen the fuel tank cap slowly to relieve any pressure in the tank.
- Add fuel in a clean, well-ventilated area outdoors where there are no sparks or flames. Slowly remove the fuel cap only after stopping engine. Do not smoke while fueling or mixing fuel. Wipe up any spilled fuel from the unit immediately.
- Avoid creating a source of ignition for spilled fuel. Do not start the engine until fuel vapors dissipate.
- Move the unit at least 30 feet (9.1 m) from the fueling source and site before starting the engine. Do not smoke, keep sparks and open flames from the area while adding fuel or operating the unit.

### WHILE OPERATING

- Never start or run the unit inside a closed room or building. Breathing exhaust fumes can kill. Operate this unit only in a well ventilated area outdoors.
- Wear safety glasses or goggles that are marked as meeting ANSI Z87.1 standards, and ear/hearing protection when operating this unit. Wear a face or dust mask if the operation is dusty.
- Wear heavy, long pants, boots, gloves and a long sleeve shirt. Do not wear loose clothing, jewelry, short pants, sandals or go barefoot. Secure hair above shoulder level.
- The cutting attachment shield must always be in place while operating the unit. Do not operate unit without both trimming lines extended, and the proper line installed. Do not extend the trimming line beyond the length of the shield.
- This unit has a clutch. The cutting attachment remains stationary when the engine is idling. If it does not, have the unit adjusted by an authorized service technician.
- Adjust the D-Handle to your size to provide the best grip.
- Be sure the cutting attachment is not in contact with anything before starting the unit.
- Use the unit only in daylight or good artificial light.
- Avoid accidental starting. Be in the starting position whenever pulling the starter rope. The operator and unit must be in a stable position while starting. See **Section 5, Operation**.
- Use the right tool. Only use this tool for the purpose intended.
- Do not overreach. Always keep proper footing and balance.
- Always hold the unit with both hands when operating. Keep a firm grip on both the front and rear handle or grips.
- Keep hands, face, and feet at a distance from all moving parts. Do not touch or try to stop the cutting attachment when it is rotating.
- Do not touch the engine, gear housing or muffler. These parts get extremely hot from operation. When turned off they remain hot for a short time.
- Do not operate the engine faster than the speed needed to cut, trim or edge. Do not run the engine at high speed when not cutting.
- Always stop the engine when cutting is delayed or when walking from one cutting location to another.
- If you strike or become entangled with a foreign object, stop the engine immediately and check for damage. Do not operate before repairing damage. Do not operate the unit with loose or damaged parts.
- Stop and switch the engine to off for maintenance, repair, or for changing the cutting attachment or other attachments.
- Use only genuine manufacturer's replacement parts and accessories for this unit. These are available from your authorized service dealer. Use of any parts or accessories not authorized by the manufacturer could lead to serious injury to the user, or damage to the unit, and void your warranty.
- Keep unit clean of vegetation and other materials. They may become lodged between the cutting attachment and shield.
- To reduce fire hazard, replace faulty muffler and spark arrestor, keep the engine and muffler free from grass, leaves, excessive grease or carbon build up.

### OTHER SAFETY WARNINGS

- Never store the unit, with fuel in the tank, inside a building where fumes may reach an open flame or spark.
- Allow the engine to cool before storing or transporting. Be sure to secure the unit while transporting.
- Store the unit in a dry area, locked up or up high to prevent unauthorized use or damage, out of the reach of children.
- Never douse or squirt the unit with water or any other liquid. Keep handles dry, clean and free from debris. Clean after each use, see **Cleaning and Storage** instructions.
- Keep these instructions. Refer to them often and use them to instruct other users. If you loan someone this unit, also loan them these instructions.

## SAVE THESE INSTRUCTIONS

## SAFETY AND INTERNATIONAL SYMBOLS

This operator's manual describes safety and international symbols and pictographs that may appear on this product. Read the operator's manual for complete safety, assembly, operating and maintenance and repair information.

### SYMBOL

### MEANING



- **SAFETY ALERT SYMBOL**

Indicates danger, warning, or caution. May be used in conjunction with other symbols or pictographs.



- **WARNING - READ OPERATOR'S MANUAL**

Read the Operator's Manual(s) and follow all warnings and safety instructions. Failure to do so can result in serious injury to the operator and/or bystanders.



- **FOR SERVICE INFORMATION, CALL:**

1 (877) 282-8684



- **WEAR EYE AND HEARING PROTECTION**

**WARNING:** Thrown objects and loud noise can cause severe eye injury and hearing loss. Wear eye protection meeting ANSI Z87.1 standards and ear protection when operating this unit.



- **KEEP BYSTANDERS AWAY**

**WARNING:** Keep all bystanders, especially children and pets, at least 50 feet (15 m) from the operating area.



- **PRIMER BULB**

Push primer bulb, fully and slowly, 5 to 7 times.



- **UNLEADED FUEL**

Always use clean, fresh unleaded fuel.



- **OIL**

Refer to operator's manual for the proper type of oil.



- **THROWN OBJECTS AND ROTATING CUTTER CAN CAUSE SEVERE INJURY**

**WARNING:** Do not operate without the cutting attachment shield in place. Keep away from the rotating cutting attachment.



- **ON/OFF STOP CONTROL**

ON / START / RUN



- **ON/OFF STOP CONTROL**

OFF OR STOP



- **HOT SURFACE WARNING**

Do not touch a hot muffler, gear housing or cylinder. You may get burned. These parts get extremely hot from operation. When turned off they remain hot for a short time.

# Safety (continued)

---

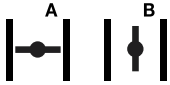
## SYMBOL



## MEANING

- **SHARP BLADE**

**WARNING:** Sharp blade on cutting attachment shield. To prevent serious injury, do not touch line cutting blade.



- **CHOKER CONTROL**

A • **START** position.  
B • **RUN** position.



**WARNING:** The operation of any power tool can cause foreign objects to be thrown into your eyes. This can lead to severe eye damage. Before commencing power tool operation, always wear safety glasses or goggles that are marked as meeting ANSI Z87.1 standards, and a full face shield when needed.

## THE FOLLOWING ARE FOR REFERENCE WHEN THE UNIT IS ASSEMBLED WITH THE MANUFACTURER'S BRUSHCUTTER ACCESSORY KIT

### **WARNING**

Do not attach or operate this unit with any type of brushcutting blade or brushcutting attachment as the unit is currently setup. A brushcutter accessory kit is available by the manufacturer. See Section 6, Maintenance for the accessory part number. Use only the manufacturer's accessory kit. Failure to do so may result in serious personal injury to yourself or others and/or damage to the unit

---



- **BRUSHCUTTERS** • Replace dull blade.

Do not sharpen the cutting blade. Sharpening the blade can cause the blade tip to break off while in use. This can result in severe personal injury.



- **TRIMMER/BRUSHCUTTER SAFETY**

**WARNING:** Thrown objects and rotating cutter can cause severe injury. Keep bystanders, especially children and pets, at least 50 feet (15 m) away from the cutting area. The cutting attachment shield must be used when using the trimmer cutting attachment.

# Know Your Unit

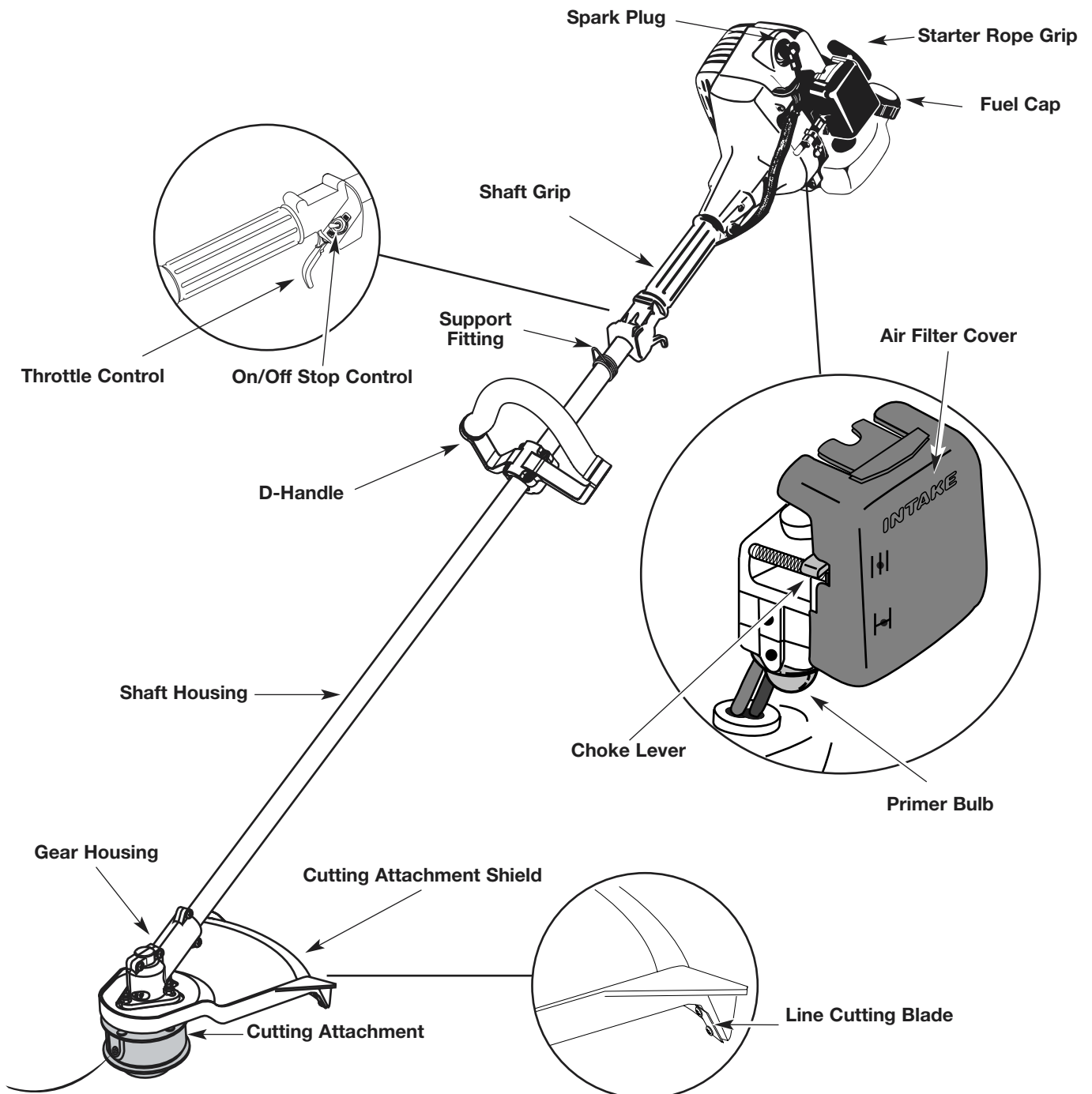
**APPLICATIONS**

As a trimmer;

- Cutting grass and weeds.
- Edging
- Decorative trimming around trees, fences, etc.

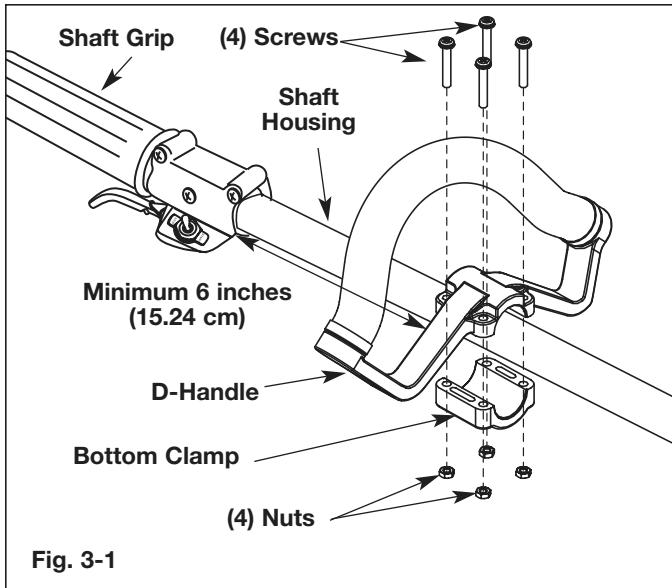
With the optional brushcutter accessory kit;

- Cutting weeds and light bush of up to 1/2 inch in diameter.



## Section 3

# Assembly



On some units, the D-handle may be preinstalled and only require loosening the screws and adjusting the D-handle to the operator. Go to step 4 for adjusting the D-handle if preinstalled.

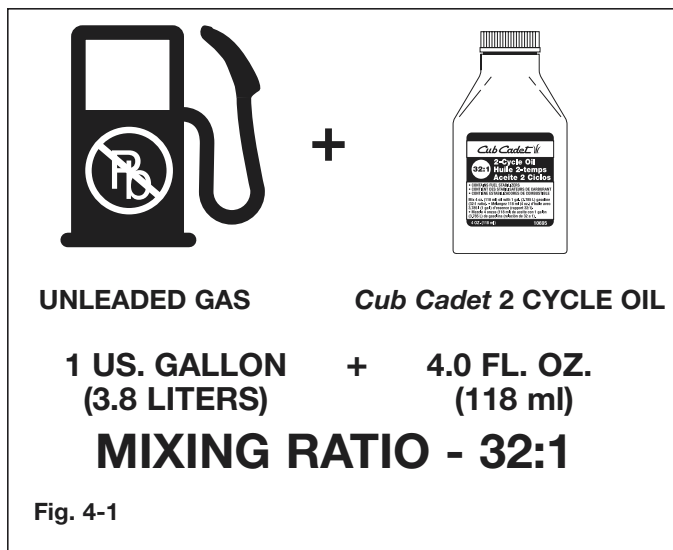
### INSTALLING AND ADJUSTING THE D-HANDLE

1. Remove the screws, nuts and bottom clamp piece that were installed on the D-handle for shipping.
2. Place D-handle the over the shaft housing and onto the bottom clamp (Fig. 3-1). Place it a minimum of 6 inches (15.24 cm) from the end of the shaft grip.
3. Hold each hex nut in the bottom clamp recess with a finger. Start screws with a screwdriver. Do not tighten until you make the handle adjustment.
4. If it was preinstalled, loosen the screws on the D-handle just enough to move the D-handle.
5. While holding the unit in the operating position (Fig. 3-2), position the D-handle to the location that provides you the best grip.
6. Tighten the clamp screws evenly, until the D-handle is secure.





# Oil and Fuel



## Oil and Gas Mixing Instructions

Old and/or improperly mixed fuel are the main reasons for the unit not running properly. Be sure to use fresh, clean unleaded fuel. Follow the instructions carefully for the proper fuel/oil mixture.

### Definition of Blended Fuels

Today's fuels are often a blend of gasoline and oxygenates such as ethanol, methanol or MTBE (ether). Alcohol-blended fuel absorbs water. As little as 1% water in the fuel can make fuel and oil separate. It forms acids when stored. When using alcohol-blended fuel, use fresh fuel (less than 60 days old).

### Using Blended Fuels

If you choose to use a blended fuel, or its use is unavoidable, follow recommended precautions.

- Always use fresh fuel mix per your operator's manual.
- Always agitate the fuel mix before fueling the unit.
- Drain the tank and run the engine dry before storing the unit.

### Using Fuel Additives

The bottle of Cub Cadet 2-Cycle oil that came with your unit contains a fuel additive which will help inhibit corrosion and minimize the formation of gum deposits. It is recommended that you use only Cub Cadet 2-Cycle oil with this unit.

If unavailable, use a good 2-cycle oil designed for air-cooled engines along with a fuel additive, such as STA-BIL® Gas Stabilizer or an equivalent. Add 0.8 oz. (23 ml) of fuel additive per gallon of fuel according to the instructions on the container. NEVER add fuel additives directly to the unit's fuel tank.

### **CAUTION**

**For proper engine operation and maximum reliability, pay strict attention to the oil and fuel mixing instructions on the 2-cycle oil container. Using improperly mixed fuel can severely damage the engine.**

Thoroughly mix the proper ratio of 2-cycle engine oil with unleaded gasoline in a separate fuel can. Use a 32:1 fuel/oil ratio. Do not mix them directly in the engine fuel tank. See Figure 4-1 for specific gas and oil mixing ratios.

**NOTE: One gallon (3.8 liters) of unleaded gasoline mixed with one 4 oz. (118 ml) bottle of Cub Cadet 2-CYCLE OIL makes a 32:1 fuel/oil ratio.**

### **WARNING**

**Gasoline is extremely flammable. Ignited Vapors may explode. Always stop the engine and allow it to cool before filling the fuel tank. Do not smoke while filling the tank. Keep sparks and open flames at a distance from the area.**

### **WARNING**

**Remove fuel cap slowly to avoid injury from fuel spray. Never operate the unit without the fuel cap securely in place.**

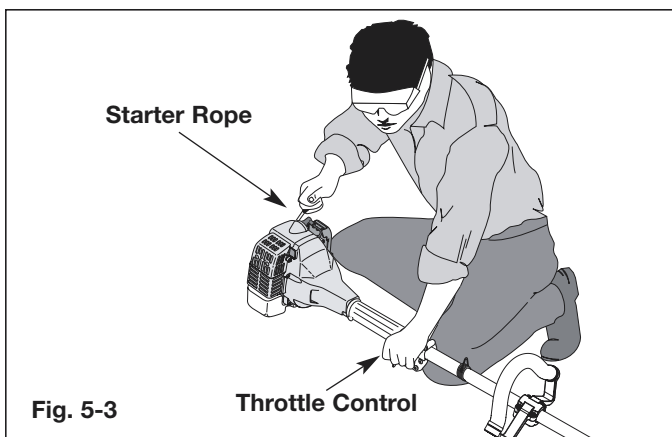
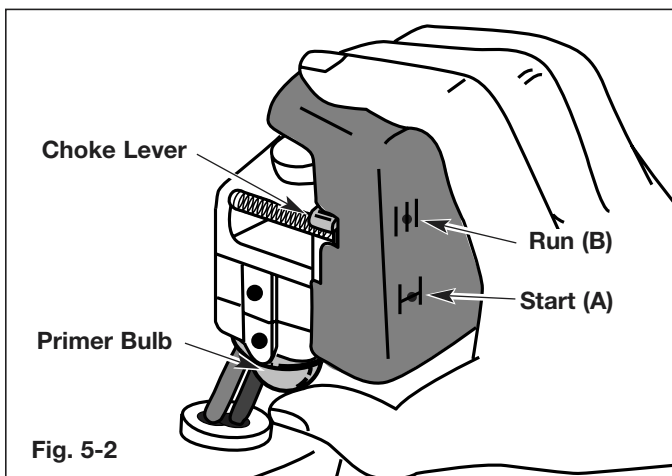
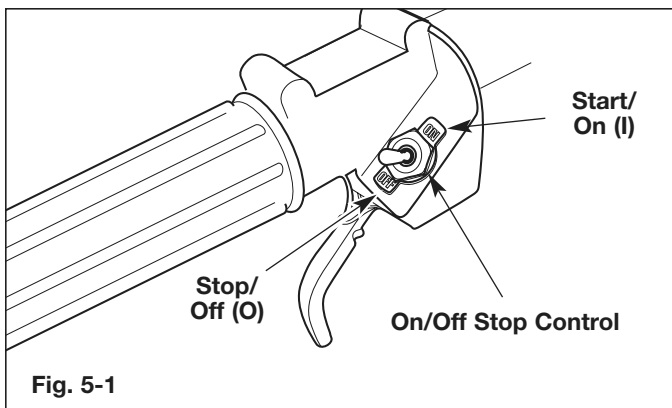
### **WARNING**

**Add fuel in a clean, well ventilated area outdoors. Wipe up any spilled fuel immediately. Avoid creating a source of ignition for spilt fuel. Do not start the engine until fuel vapors dissipate.**

**NOTE: Dispose of the old fuel/oil mix in accordance to Federal, State, and Local regulations.**

## Section 5

# Operation



### STARTING INSTRUCTIONS

#### **! WARNING**

Operate this unit only in a well ventilated area outdoors. Carbon monoxide exhaust fumes can be lethal in a confined area.

#### **! WARNING**

**Avoid accidental starting. Be in the starting position whenever pulling the starting rope. To avoid serious personal injury, the operator and unit must be in a stable position while starting.**

### STARTING INSTRUCTIONS

1. Mix gas with oil. Fill fuel tank with fuel/oil mixture. See Section 4, Oil and Fuel.
2. Put the On/Off Stop Control in the **START (I)** position (Fig. 5-1).
3. Fully press and release primer bulb slowly 5 to 7 times. Fuel should be felt and visible in the bulb (Fig. 5-2). If fuel hasn't entered the bulb, press three more times, or until it does.
4. Place the choke lever in the **START (A)** position (Fig. 5-2).
5. With the unit on the ground, squeeze the throttle control and hold. Pull starter rope briskly (Fig. 5-3). Continue pulling until the engine sounds as though it wants to run (normally 2 to 5 pulls).

**NOTE: Squeeze the throttle control until the engine has started and warmed up.**

6. Place the choke lever in the **RUN (B)** position (Fig. 5-2).
7. Pull starter rope briskly 1 to 3 times to start the engine (Fig. 5-3).
8. If the engine does not start, repeat steps 4 through 7.

**NOTE: If the engine floods while trying to start, place the choke lever in the RUN (B) position. Squeeze the throttle control. Pull the starter rope briskly. The engine should start within three (3) to eight (8) pulls.**

9. Squeeze the throttle control to warm up engine for 5 to 10 seconds. Place the choke lever in the **RUN (B)** position (Fig. 5-2).

**NOTE: Choking is unnecessary when starting a warm engine. Put the On/Off Stop Control in the START (I) position (Fig. 5-1), and the choke lever in the RUN (B) position (Fig. 5-2).**

### STOPPING INSTRUCTIONS

1. Release your hand from the throttle control (Fig. 5-3). Allow the engine to idle.
2. To stop the engine, put the On/Off Stop Control in the **STOP [O]** position (Fig. 5-1).



Fig. 5-4

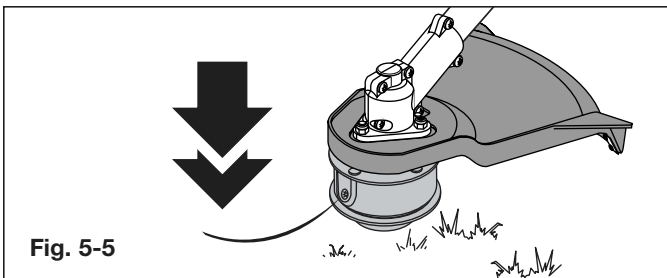


Fig. 5-5

## HOLDING THE TRIMMER

### **! WARNING**

**Always wear eye, hearing, foot and body protection to reduce the risk of injury when operating this unit.**

Before operating the unit, stand in the operating position (Fig. 5-4). Check for the following:

- The operator is wearing eye protection and proper clothing.
- The right arm is slightly bent, and the hand is holding the shaft grip.
- The left arm is straight, and the hand is holding the D-handle.
- The unit is at waist level.
- The cutting attachment is parallel to the ground and easily contacts the vegetation to be cut without the operator having to bend over.

## ADJUSTING TRIMMING LINE LENGTH

The Bump Head cutting attachment allows you to release trimming line without stopping the engine. To release more line, lightly tap the cutting attachment on the ground (Fig. 5-5) while operating the trimmer at high speed.

**NOTE: Always keep the trimming line fully extended. Line release becomes more difficult as cutting line becomes shorter.**

Each time the head is bumped, about 1 inch (25.4 mm) of trimming line is released. A blade in the cutting attachment shield will cut the line to the proper length if excess line is released.

For best results, tap the Bump Head on bare ground or hard soil. If line release is attempted in tall grass, the engine may stall. Always keep the trimming line fully extended. Line release becomes more difficult as the cutting line becomes shorter.

**NOTE: Do not rest the Bump Head on the ground while the unit is running .**

### **! CAUTION**

**Do not remove or alter the line cutting blade assembly. Excessive line length will make the clutch overheat. This may lead to serious personal injury or damage to the unit.**

Some line breakage will occur from:

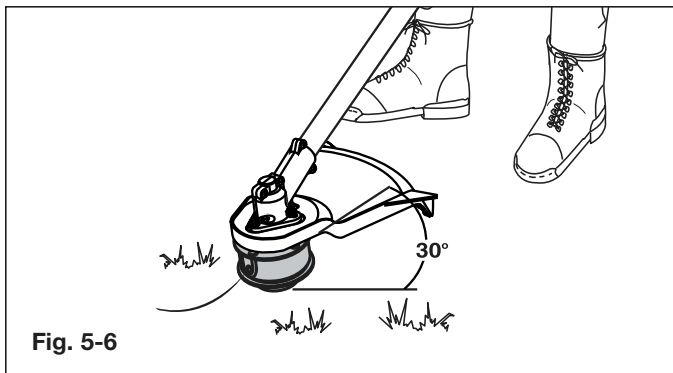
- Entanglement with foreign matter
- Normal line fatigue
- Attempting to cut thick, stalky weeds
- Forcing the line into objects such as walls or fence posts

## TIPS FOR BEST TRIMMING RESULTS

- Keep the cutting attachment parallel to the ground.
- Do not force the cutting attachment. Allow the tip of the line to do the cutting, especially along walls. Cutting with more than the tip will reduce cutting efficiency and may overload the engine.
- Cut grass over 8 inches (200 mm) by working from top to bottom in small increments to avoid premature line wear or engine drag.
- Cut from left to right whenever possible. Cutting to the right improves the unit's cutting efficiency. Clippings are thrown away from the operator.
- Slowly move the trimmer into and out of the cutting area at the desired height. Move either in a forward-backward or side-to-side motion. Cutting shorter lengths produces the best results.
- Trim only when grass and weeds are dry.
- The life of your cutting line is dependent upon;
  - Following the previous trimming techniques
  - What vegetation is being cut
  - Where it's being cut

For example, the line will wear faster when trimming against a foundation wall as opposed to trimming around a tree.

## Operation (continued)



### DECORATIVE TRIMMING

Decorative trimming is accomplished by removing all vegetation around trees, posts, fences, etc.

Rotate the whole unit so that the cutting attachment is at a 30° angle to the ground (Fig. 5-6).

## Section 6

# MAINTENANCE

**NOTE:** Some maintenance procedures may require special tools or skills. If you are unsure about these procedures take your unit to an authorized service dealer.

### MAINTENANCE SCHEDULE

These required maintenance procedures should be performed at the frequency stated in the table. They should also be included as part of any seasonal tune-up.



### WARNING

To prevent serious injury, never do maintenance or repairs with unit running. Always do maintenance and repairs on a cool unit. Disconnect spark plug wire to ensure the unit will not start.

WHEN	MAINTENANCE NEEDED	GO TO:
Before Starting Engine	Fill fuel tank with correct oil and fuel mixture.	Page 9
Every 10 Hours	Clean and re-oil air filter.	Page 15
Every 25 Hours	Check spark arrestor and clean Check spark plug condition and gap	Page 15 Page 17

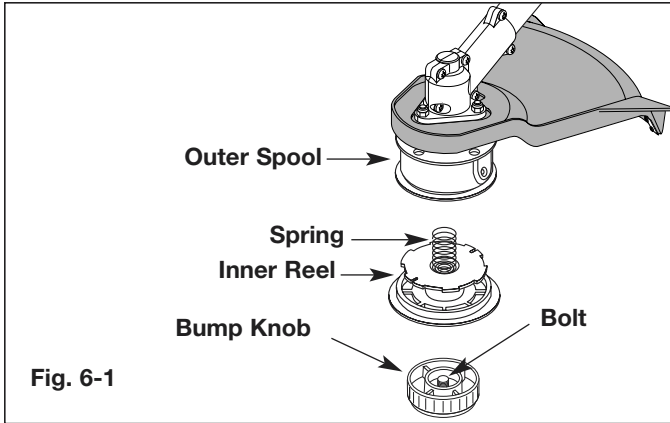


Fig. 6-1

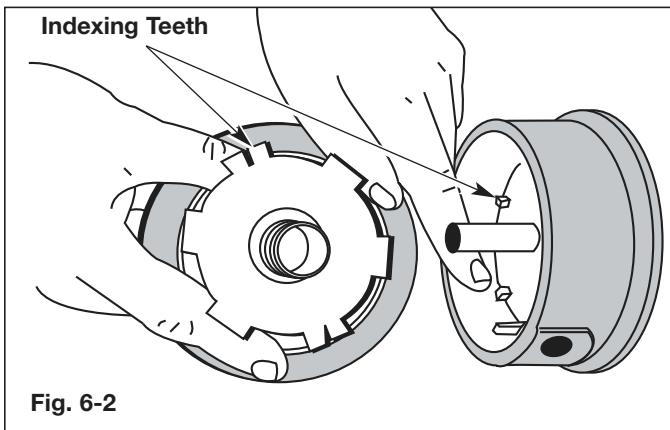


Fig. 6-2

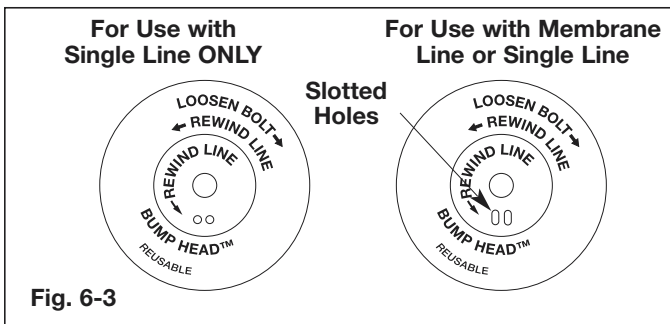


Fig. 6-3

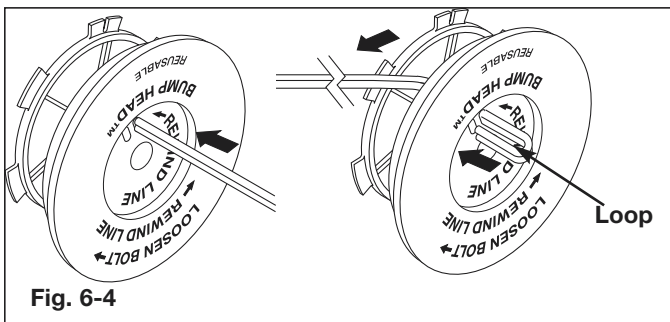


Fig. 6-4

## LINE INSTALLATION

This section covers both Membrane line and standard single line installation.

Always use manufacturer's 0.105 inch (2.67 mm) replacement line. Line other than specified may make the engine overheat or fail.

### **! WARNING**

**Never use metal-reinforced line, wire, chain, or rope, etc. These can break off and become a dangerous projectile.**

There are two methods to replace the trimming line.

- Wind the inner reel with new line
- Install a prewound inner reel

### Winding the Existing Inner Reel

1. Hold the outer spool with one hand and unscrew the Bump Knob clockwise (Fig. 6-1). Inspect the bolt inside the Bump Knob to make sure it moves freely. Replace the Bump Knob if damaged.
2. Remove the inner reel from the outer spool (Fig. 6-1).
3. Remove spring from the inner reel (Fig. 6-1).
4. Use a clean cloth to clean the the inner reel, spring, shaft, and inner surface of the outer spool.
5. Check the indexing teeth on the inner reel and outer spool for wear (Fig. 6-2). If necessary, remove burrs or replace the reel and spool.

**NOTE: Membrane line can only be used with the inner reel with the slotted holes. Single line can be used on either type of inner reel. Use figure 6-3 to identify the inner reel you have.**

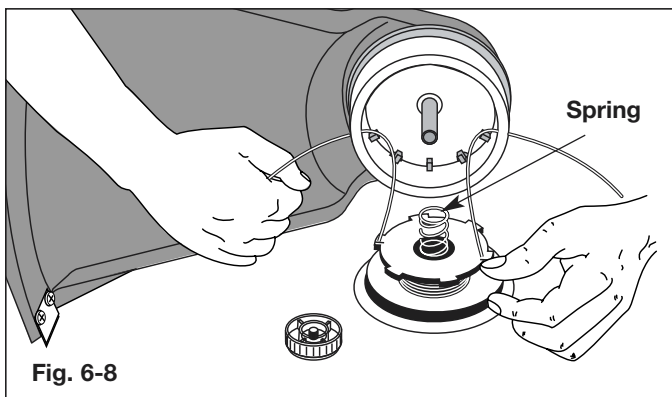
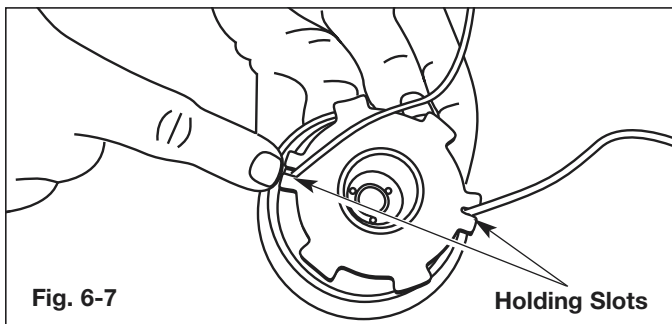
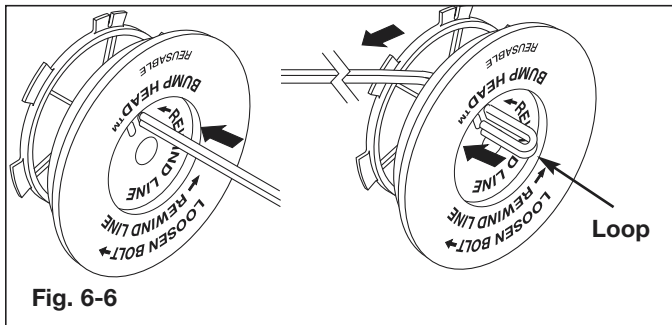
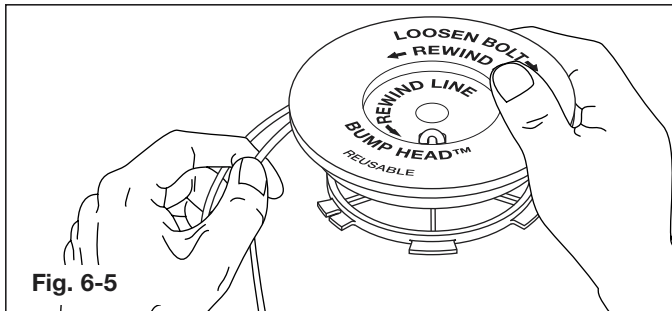
**NOTE: Always use the correct line length when installing trimming line on the unit. The line may not release properly if the line is too long.**

### Single Line Installation

#### Go To Step 8 for Membrane Line Installation

6. Take approximately 30 feet (9.1 m) of new trimming line, loop it into two equal lengths. Insert each end of the line through one of the two holes in the inner reel (Fig. 6-4). Pull the line through the inner reel so that the loop is as small as possible.
7. Wind the lines in tight even layers, onto the reel (Fig. 6-5). Wind the line in the direction indicated on the inner reel. Place your index finger between the two lines to stop the lines from overlapping. Do not overlap the ends of the line. Proceed to step 11.

## Maintenance (continued)



### Membrane Line Installation

8. Take approximately 15 feet (4.6 m) of new trimming line. Insert one end of the line through one of the two holes in the inner reel (Fig. 6-6). Pull the line through the inner reel until only about 4 inches is left out.
9. Insert the end of the line into the open hole in the inner reel and pull the line tight to make the loop as small as possible (Fig. 6-6).
10. Before winding, split the line back about 6 inches.
11. Wind the line in tight even layers in the direction indicated on the inner reel.

**NOTE: Failure to wind the line in the direction indicated will cause the cutting attachment to operate incorrectly.**

12. Insert the ends of the line into the two holding slots (Fig. 6-7).
13. Insert the ends of the line through the eyelets in the outer spool and place inner reel with spring inside the outer spool (Fig. 6-8). Push the inner reel and outer spool together. While holding the inner reel and outer spool, grasp the ends and pull firmly to release the line from the holding slots in the reel.

**NOTE: The spring must be assembled on the inner reel before reassembling the cutting attachment.**

14. Hold the inner reel in place and install the Bump Knob by turning counterclockwise. Tighten securely.

### INSTALLING A PREWOUND REEL

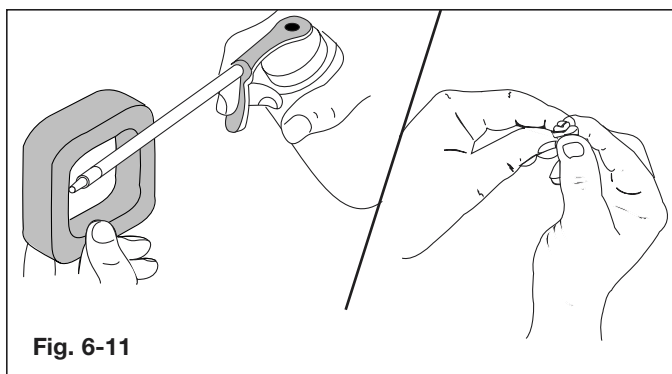
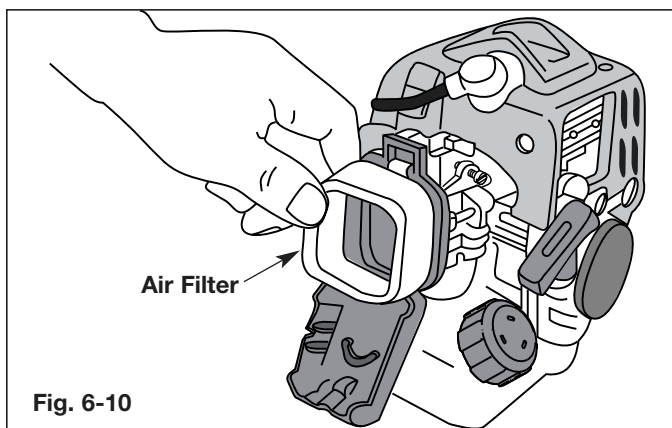
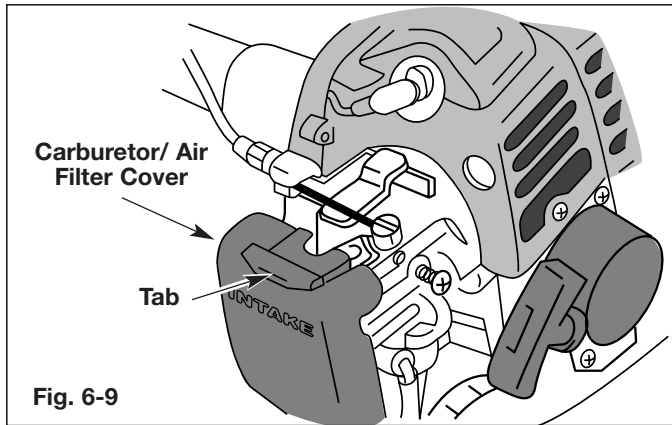
1. Hold the outer spool with one hand and unscrew the Bump Knob clockwise (Fig. 6-1). Inspect the bolt inside the Bump Knob to make sure it moves freely. Replace the Bump Knob if damaged.
2. Remove the old inner reel from the outer spool (Fig. 6-1).
3. Remove the spring from the old inner reel (Fig. 6-1).
4. Place the spring in the new inner reel.

**NOTE: The spring must be assembled on the inner reel before reassembling the cutting attachment.**

5. Insert the ends of the line through the eyelets in the outer spool (Fig. 6-8).
6. Place the new inner reel inside the outer spool. Push the inner reel and outer spool together. While holding the inner reel and outer spool, grasp the ends and pull firmly to release the line from the holding slots in the spool.
7. Hold the inner reel in place and install the Bump Knob by turning counterclockwise. Tighten securely.

### Replacement Parts:

See **Accessories / Replacement Parts** on page 18.



## AIR FILTER MAINTENANCE

### Cleaning the Air Filter

#### **! WARNING**

To avoid serious personal injury, always turn your trimmer off and allow it to cool before you clean or do any maintenance on it.

Clean and re-oil the air filter every 10 hours of operation. It is an important item to maintain. Not maintaining the air filter will **VOID** the warranty.

1. Remove the carburetor/air filter cover by pushing on the tab on top of the cover (Fig. 6-9).
2. Remove the air filter (Fig. 6-10).
3. Wash the filter in detergent and water. Rinse the filter thoroughly and allow it to dry.
4. Apply enough clean SAE 30 motor oil to lightly coat the filter (Fig. 6-11).
5. Squeeze the filter to spread and remove excess oil (Fig. 6-11).
6. Reinstall the filter (Fig. 6-10) and air filter cover (Fig. 6-9).

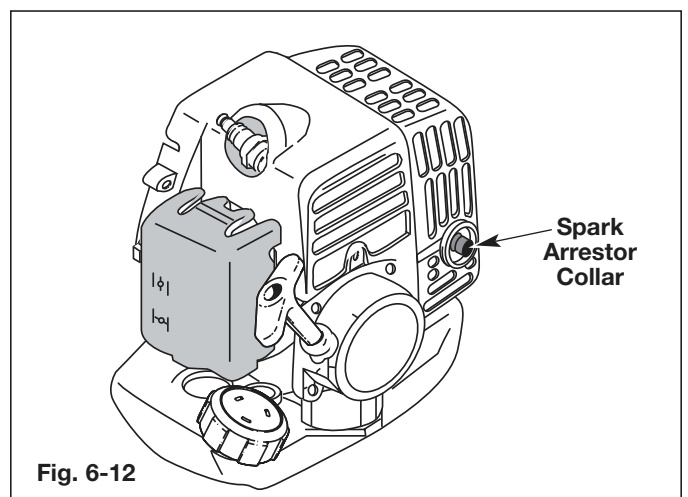
**NOTE:** If the unit is operated without the air filter, you will **VOID** the warranty.

## SPARK ARRESTOR MAINTENANCE

#### **! WARNING**

To avoid serious personal injury, always turn your trimmer off and allow it to cool before you clean or do any maintenance on it.

1. Turn the powerhead so the back of the engine is facing forward. In this position, the starter rope is to the left (Fig. 6-12).



## Maintenance (continued)

2. Use a needlenose pliers to grasp the collar of the spark arrestor and pull it out of the muffler (Fig. 6-13).

**NOTE: Use only a needlenose pliers. Other pliers or tools may damage the spark arrestor.**

3. Clean the spark arrestor with a wire brush. Replace if damaged or unable to clean thoroughly.
4. Reinstall spark arrestor. Use the needlenose pliers to gently push the spark arrestor back into the muffler until it snaps into place.

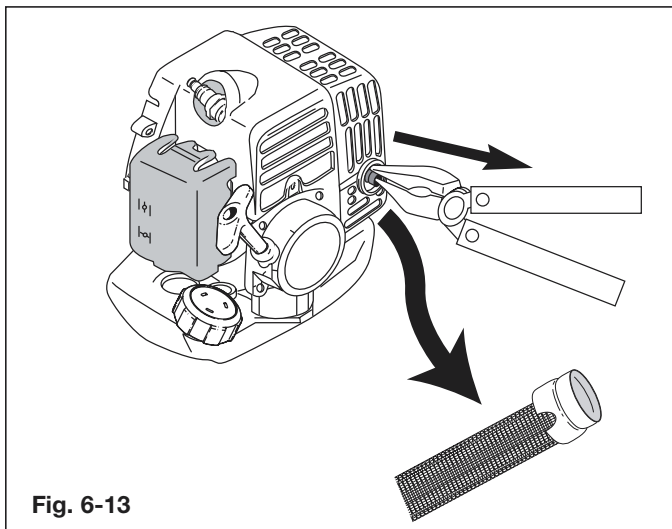


Fig. 6-13

### CARBURETOR ADJUSTMENT

The idle speed of the engine is adjustable by the screw next to the air filter cover (Fig 6-14).

**NOTE: Careless adjustments can seriously damage your unit. An authorized service dealer should make carburetor adjustments.**

#### Check Fuel Mixture

Old and/or improperly mixed fuel is usually the reason for the unit not running properly. Drain and refill the tank with fresh, properly mixed fuel prior to making any adjustments. See **Section 5, Oil and Fuel**.

#### Clean Air Filter

The condition of the air filter is important to the operation of the unit. A dirty air filter will restrict air flow and change the air/fuel mixture. This is often mistaken for an out of adjustment carburetor. Check the condition of the air filter before adjusting the idle speed screw. See **Section 6, Maintenance**.

### Adjust Idle Speed Screw

#### **WARNING**

**The cutting attachment may be spinning during idle speed adjustment. Wear protective clothing and observe all safety instructions to prevent serious personal injury.**

If after checking the fuel mixture and cleaning the air filter the engine still will not idle, adjust the idle speed screw as follows.

1. Start the engine and let it run at a high idle for a minute to warm up.
2. Release the throttle trigger and let the engine idle. If the engine stops, insert a small phillips or flat blade screwdriver into the screw next to the air filter cover (Fig. 6-14). Turn the idle speed screw in, clockwise, 1/8 of a turn at a time (as needed) until the engine idles smoothly.

**NOTE: The cutting attachment should not rotate when the engine idles.**

3. If the cutting attachment rotates when the engine idles, turn the idle speed screw counterclockwise 1/8 of a turn at a time (as needed), to reduce idle speed.

Checking the fuel mixture, cleaning the air filter, and adjusting the idle speed screw should solve most engine problems.

If not and:

- The engine will not idle,
- The engine hesitates or stalls on acceleration,
- There is a loss of engine power,

have the carburetor adjusted by an authorized service dealer.

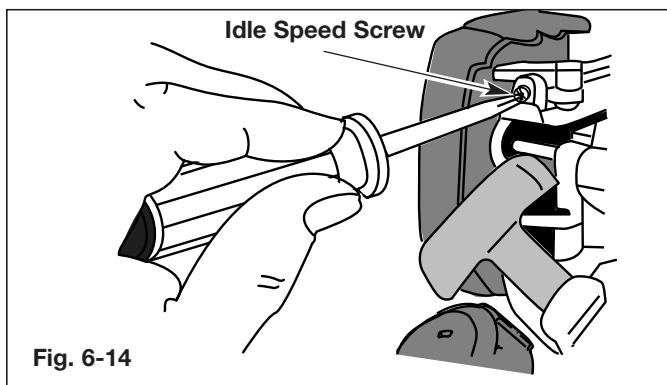


Fig. 6-14



## REPLACING THE SPARK PLUG

Use a Champion RCJ6Y spark plug (or equivalent). The correct air gap is **0.025 inch (0.655 mm)**. Remove the plug after every 25 hours of operation and check its condition.

1. Stop the engine and allow it to cool. Grasp the plug wire firmly and pull the cap from the spark plug.
2. Clean dirt from around the spark plug. Remove the spark plug from the cylinder head by turning a 5/8 inch socket counterclockwise.
3. Replace cracked, fouled or dirty spark plug. Set the air gap at 0.025 inch (0.655 mm) using a feeler gauge (Fig. 6-15).

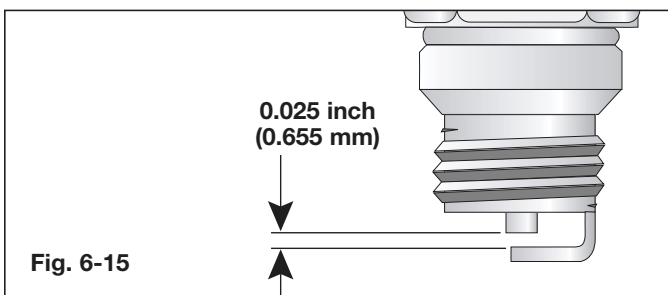
## CAUTION

**Do not sand blast, scrape, or clean electrodes. Grit in the engine could damage the cylinder.**

4. Install a correctly gaped spark plug in the cylinder head. Tighten by turning the 5/8 inch socket clockwise until snug.

If using a torque wrench torque to:  
110-120 in.•lb. (12.3-13.5 N•m).

Do not over tighten.



## ACCESSORIES/REPLACEMENT PARTS

Spark Plug .....	791-181765
Spark Arrestor .....	791-181696
Replacement Line Cartridge .....	153-1160
Inner Reel Spring .....	791-610636
Bump Head Knob Assembly .....	791-180814
Fuel Cap .....	791-180000
Brushcutter Accessory Kit .....	41AM079G100
Shoulder Harness .....	791-682075
Tip-and-Pour 2-Cycle Oil (16 oz.) .....	791-180965

These replacement parts can be purchased at the retailer from which you bought your trimmer, or your local *Cub Cadet* dealer.

## CLEANING

### WARNING

**To avoid serious personal injury, always turn your trimmer off and allow it to cool before you clean or do any maintenance on it.**

Use a small brush to clean off the outside of the unit. Do not use strong detergents. Household cleaners that contain aromatic oils such as pine and lemon, and such as kerosene, can damage plastic housing or handle. Wipe off any moisture with a soft cloth.

## STORAGE

- Never store the unit with gasoline in the tank where fumes may reach an open flame or spark.
- Allow the engine to cool before storing.
- Store the unit locked up to prevent unauthorized use or damage.
- Store the unit in a dry, well ventilated area.
- Store the unit out of the reach of children.

## LONG TERM STORAGE

If the unit will be stored for an extended time,

1. Drain all fuel from the gas tank into a container. Do not use fuel that has been stored for more than 60 days. Dispose of the old fuel in accordance to Federal, State, and Local regulations.
2. Start the engine and allow it to run until it stalls. This ensures that all gasoline has been drained from the carburetor.
3. Allow the engine to cool. Remove the spark plug and put 1 oz. (30 ml) of high quality motor oil into the cylinder. Pull the starter rope slowly to distribute the oil. Reinstall the spark plug.

**NOTE: Remove the spark plug and drain all of the oil from the cylinder before attempting to start the trimmer after storage.**

4. Thoroughly clean the unit and inspect for any loose or damaged parts. Repair or replace damaged parts and tighten loose screws, nuts or bolts. The unit is ready for storage.

## TRANSPORTING

- Allow the engine to cool before transporting.
- Secure the unit while transporting.
- Drain the gas tank before transporting.
- Tighten gas cap before transporting.

## Section 7

# Troubleshooting

### ENGINE WILL NOT START

#### CAUSE

On/Off Stop Control is in STOP position  
Empty fuel tank  
Primer bulb wasn't pressed enough  
Engine flooded  
  
Old or improperly mixed fuel  
Fouled spark plug  
Plugged spark arrestor

#### ACTION

Turn On/Off Stop Control to START  
Fill fuel tank with properly mixed fuel  
Press primer bulb fully and slowly 5-7 times  
Use starting procedure with choke lever in the RUN position, Pg. 11  
Drain gas tank / Add fresh fuel mixture  
Replace or clean the spark plug  
Clean or replace spark arrestor

### ENGINE WILL NOT IDLE

#### CAUSE

Air Filter is Plugged  
Old or improperly mixed fuel  
Improper carburetor adjustment

#### ACTION

Replace or clean the air filter  
Drain gas tank / Add fresh fuel mixture  
Adjust per instruction Pg. 16

### ENGINE WILL NOT ACCELERATE

#### CAUSE

Old or improperly mixed fuel  
Improper carburetor adjustment  
  
Cutting attachment bound with grass  
Dirty air filter  
Plugged spark arrestor

#### ACTION

Drain gas tank / Add fresh fuel mixture  
Take to an authorized service dealer for carburetor adjustment  
Stop the engine and clean the cutting attachment  
Clean or replace the air filter  
Clean or replace spark arrestor

### ENGINE LACKS POWER OR STALLS WHEN CUTTING

#### CAUSE

Old or improperly mixed fuel  
Improper carburetor adjustment  
  
Fouled spark plug  
Plugged spark arrestor

#### ACTION

Drain gas tank / Add fresh fuel mixture  
Take to an authorized service dealer for carburetor adjustment  
Replace or clean the spark plug  
Clean or replace spark arrestor

### CUTTING ATTACHMENT WILL NOT ADVANCE LINE

#### CAUSE

Cutting attachment bound with grass  
Cutting attachment out of line  
Inner reel bound up  
Cutting head dirty  
Line welded  
  
Line twisted when refilled  
Not enough line is exposed

#### ACTION

Stop the engine and clean cutting attachment  
Refill with new line  
Replace the inner reel  
Clean inner reel and outer spool  
Disassemble, remove the welded section and rewind the line  
Disassemble and rewind the line  
Push the Bump Knob and pull out line until 4 inches (102 mm) of line is outside of the cutting attachment

# Specifications

## ENGINE

Engine Type	Air-Cooled, 2-Cycle
Displacement	1.4 cu. in. (25cc)
Clutch Type	Centrifugal
Idle Speed RPM	2,400-3,600 rpm
Operating RPM (Trimmer)	7,000-8,600 rpm
Ignition Type	Electronic
On/Off Stop Control	Toggle Switch
Lubrication	Fuel/Oil Mixture
Fuel/Oil Ratio	32:1
Fuel	Unleaded
Carburetor	Diaphragm, All-Position
Starter	Auto Rewind
Muffler	Baffled with Guard
Throttle	Manual Spring Return
Fuel Tank Capacity	20 oz (591 ml)

## DRIVE SHAFT & CUTTING ATTACHMENT

Drive Shaft Housing	Aluminum Tube
Throttle Control	Finger-Tip Trigger
Unit Weight (No Fuel, with D-handle, Cutting attachment shield and Cutting attachment)	11 lbs (4.9 kg)
Cutting Mechanism	Dual String Cutting Head
Line Spool	Bump Line Releaser
Line Spool Diameter	4 inches (101.6 mm)
Trimming Line Diameter	0.105 inches (2.67 mm)
Cutting Path Diameter	18 inches (44.0 cm)

## MANUFACTURER'S LIMITED WARRANTY FOR:



The limited warranty set forth below is given by Cub Cadet LLC with respect to new merchandise purchased and used in the United States, its possessions and territories.

Cub Cadet LLC warrants this product against defects in material and workmanship for a period of two (2) years commencing on the date of original purchase and will, at its option, repair or replace, free of charge, any part found to be defective in material or workmanship. This limited warranty shall only apply if this product has been operated and maintained in accordance with the Operator's Manual furnished with the product, and has not been subject to misuse, abuse, commercial use, neglect, accident, improper maintenance, alteration, vandalism, theft, fire, water or damage because of other peril or natural disaster. Damage resulting from the installation or use of any accessory or attachment not approved by Cub Cadet LLC for use with the product(s) covered by this manual will void your warranty as to any resulting damage. This warranty is limited to ninety (90) days from the date of original retail purchase for any Cub Cadet product that is used for rental or commercial purposes, or any other income-producing purpose.

**HOW TO OBTAIN SERVICE:** Warranty service is available, WITH PROOF OF PURCHASE THROUGH YOUR LOCAL AUTHORIZED SERVICE DEALER. To locate the dealer in your area, visit our website at [www.cubcadet.com](http://www.cubcadet.com), check for a listing in the Yellow Pages, call 1 (877) 282-8684 or write to P.O. Box 361131, Cleveland, OH 44136-9722.

**This limited warranty does not provide coverage in the following cases:**

- A. Tune-ups - Spark Plugs, Carburetor Adjustments, Filters
- B. Wear items - Bump Knobs, Outer Spools, Cutting Line, Inner Reels, Starter Pulley, Starter Ropes, Drive Belts
- C. Cub Cadet LLC does not extend any warranty for products sold or exported outside of the United States of America, its possessions and territories, except those sold through Cub Cadet's authorized channels of export distribution.

Cub Cadet LLC reserves the right to change or improve the design of any Cub Cadet Product without assuming any obligation to modify any product previously manufactured.

**No implied warranty, including any implied warranty of merchantability or fitness for a particular purpose, applies after the applicable period of express written warranty above as to the parts as identified. No other express warranty or guaranty, whether written or oral, except as mentioned above, given by any person or entity, including a dealer or retailer, with respect to any product shall bind Cub Cadet LLC During the period of the Warranty, the exclusive remedy is repair or replacement of the product as set forth above.** (Some states do not allow limitations on how long an implied warranty lasts, so the above limitation may not apply to you.)

**The provisions as set forth in this Warranty provide the sole and exclusive remedy arising from the sales. Cub Cadet LLC shall not be liable for incidental or consequential loss or damages including, without limitation, expenses incurred for substitute or replacement lawn care services, for transportation or for related expenses, or for rental expenses to temporarily replace a warranted product.** (Some states do not allow limitations on how long an implied warranty lasts, so the above limitation may not apply to you.)

In no event shall recovery of any kind be greater than the amount of the purchase price of the product sold. Alteration of the safety features of the product shall void this Warranty. You assume the risk and liability for loss, damage, or injury to you and your property and/or to others and their property arising out of the use or misuse or inability to use the product.

This limited warranty shall not extend to anyone other than the original purchaser, original lessee or the person for whom it was purchased as a gift.

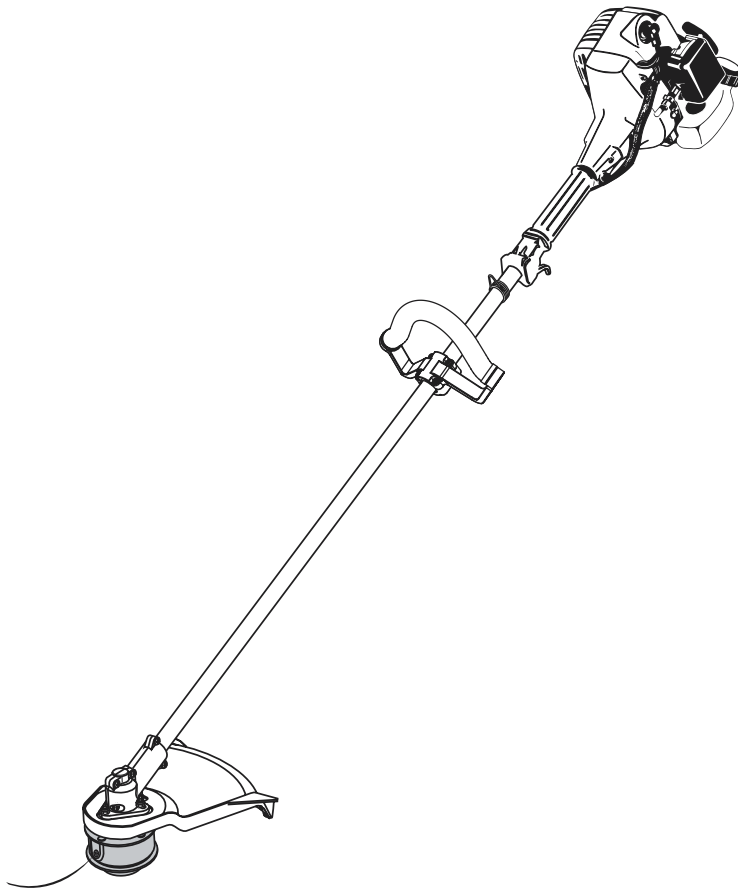
**How State Law Relates to this Warranty:** This warranty gives you specific legal rights, and you may also have other rights which vary from state to state.

To locate your nearest service dealer dial  
1 (877) 282-8684

**Cub Cadet LLC**  
P.O. Box 361131  
Cleveland, OH 44136-0019

# Cub Cadet

## Manuel de l'utilisateur



Désherbeuse  
à 2 temps  
Modèle CC 3000

### IMPORTANT : LISEZ LES RÈGLES ET CONSIGNES DE SÉCURITÉ SOIGNEUSEMENT

Avertissement : à l'intention des utilisateurs opérant dans les terres forestières des États-Unis et dans les états de Californie, du Maine, de l'Orégon et de Washington. Toutes les terres forestières des États-Unis et de l'état de Californie (Codes sur les ressources publiques 4442 et 4443), de l'Orégon et de Washington exigent de par la loi que certains moteurs à combustion interne utilisés dans des zones couvertes de taillis ou d'herbe soient équipés d'un pare-étincelles en parfait état de fonctionnement, ou qu'ils soient conçus, équipés et entretenus pour la prévention des incendies. Renseignez-vous auprès des autorités de votre province ou de votre municipalité concernant la réglementation en vigueur. Vous pourriez être passible d'une amende ou être tenu responsable si vous ne respectez pas cette réglementation. Cet appareil est équipé d'un pare-étincelles en usine. S'il doit être remplacé, faites installer par votre distributeur Cub Cadet le kit de pare-étincelles en option, réf. 791-181696, ou bien communiquez avec le service technique.

**Cub Cadet LLC P.O. Box 361131 Cleveland, OH 44136-0019**

## TABLE DES MATIÈRES

Contenu	Page
Section 1: Sécurité . . . . .	3
Section 2 : Familiarisez-vous avec l'appareil . . . . .	7
Section 3 : Montage . . . . .	8
Section 4 : Huile et carburant . . . . .	9
Section 5 : Fonctionnement . . . . .	10
Section 6 : Entretien . . . . .	12
Section 7 : Dépannage . . . . .	18
Section 8 : Caractéristiques . . . . .	19
Section 9 : Garantie . . . . .	20

### À L'INTENTION DU PROPRIÉTAIRE

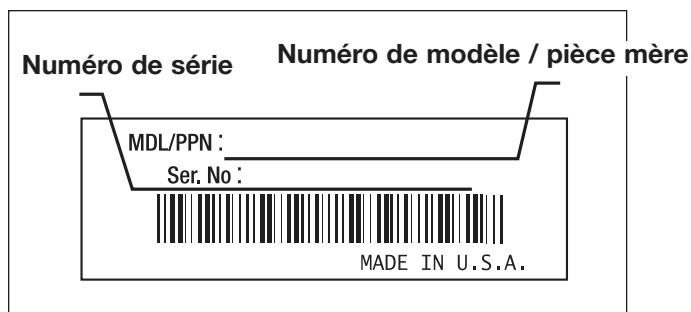
Nous vous remercions d'avoir acheté ce produit de qualité. Cet outil moderne de plein air est conçu pour vous rendre service pendant longtemps. Il vous économisera beaucoup de travail comme vous pourrez vous en rendre compte. Ce manuel de l'utilisateur comporte un mode d'emploi facile à comprendre. Avant de démarrer ou faire fonctionner cet équipement, prenez soin de lire le manuel intégralement et respecter toutes les instructions afin de maintenir votre nouvel outil mécanique en excellent état de fonctionnement.

Toutes les informations, illustrations et spécifications contenues dans ce manuel tiennent compte des dernières informations techniques disponibles au moment de mettre sous presse. Nous nous réservons le droit de les modifier à tout moment, sans préavis. Tout entretien effectué sur cet appareil pendant et après la période de garantie doit être entrepris uniquement par un distributeur Cub Cadet. Tout service sous garantie nécessite une preuve d'achat.

### TROUVER LE NUMÉRO DE MODÈLE

Avant d'assembler votre nouvel équipement, repérez la plaque signalétique de l'appareil et copiez ses informations dans l'espace fourni à cet effet ci-dessous. Ces informations vous seront importantes si vous avez besoin d'une assistance de votre distributeur Cub Cadet.

- Le numéro de modèle se trouve sur le corps de l'arbre de l'appareil, à côté de l'interrupteur de Marche/Arrêt Stop. Un exemple de plaque signalétique est présenté ci-dessous. Veuillez copier le numéro de modèle et le numéro de série de l'équipement dans l'espace ci-dessous afin de pouvoir vous y référer ultérieurement.



Copiez le numéro de modèle / pièce ici : \_\_\_\_\_

Copiez le numéro de modèle / pièce mère ici : \_\_\_\_\_

### SERVICE TECHNIQUE

Si vous éprouvez des difficultés à assembler ce produit ou si vous avez des questions concernant les commandes, le fonctionnement ou l'entretien de cet appareil, veuillez communiquer avec le Service d'assistance clientèle.



Appelez le 1-877-282-8684 pour communiquer avec le Service d'assistance clientèle. Veuillez avoir les numéros de modèle et de série de l'appareil à portée de main lorsque vous appelez. Reportez-vous à la section précédente pour savoir où trouver ces informations.

Copyright© 2001 Cub Cadet LLC  
Tous droits réservés

Pour de plus amples informations à propos de votre appareil, visitez notre site Web [www.cubcadet.com](http://www.cubcadet.com)

# Sécurité

Les symboles de sécurité attirent votre attention sur des dangers potentiels. Ces symboles et leurs détails explicatifs méritent que vous les lisiez et compreniez bien. Les avertissements de sécurité ne peuvent éviter les dangers de par eux-mêmes. Les consignes ou mises en garde qu'ils donnent ne remplacent pas des mesures préventives appropriées contre les accidents.

## SYMBOLE SIGNIFICATION



**SYMBOLE ALERTE DE SÉCURITÉ** : indique un danger, un avertissement ou une mise en garde. Soyez vigilant afin d'éviter toute blessure grave. Ce symbole peut être combiné à d'autres symboles ou pictogrammes.

**REMARQUE** : donne des informations ou des instructions vitales pour le fonctionnement ou l'entretien de l'équipement.



## DANGER

**Le non-respect d'un avertissement peut causer dommages matériels ou blessures graves pour tous. Respectez les consignes de sécurité afin de réduire les risques d'incendie, d'électrocution et de blessures**



## AVERTISSEMENT

**Le non-respect d'un avertissement peut causer dommages matériels ou blessures graves pour tous. Respectez les consignes de sécurité afin de réduire les risques d'incendie, d'électrocution et de blessures**



## MISE EN GARDE

**Le non-respect d'un avertissement peut causer dommages matériels ou blessures graves pour tous. Respectez toujours les consignes de sécurité afin de réduire les risques d'incendie, d'électrocution et de blessures.**

## • IMPORTANTES CONSIGNES DE SÉCURITÉ •



**AVERTISSEMENT** : le tuyau d'échappement du moteur, certains de ses éléments et certains des composants du véhicule contiennent ou émettent des produits chimiques considérés par l'État de Californie comme pouvant causer le cancer, des malformations congénitales ou d'autres effets nocifs sur l'appareil de reproduction.

### LIRE TOUTES LES INSTRUCTIONS

#### AVANT UTILISATION

- Veuillez lire les instructions avec soin. Familiarisez-vous avec les commandes et l'utilisation correcte de cet appareil.
- N'utilisez pas l'appareil si vous êtes fatigué, malade ou sous l'effet de l'alcool, de drogues ou de médicaments.
- Les enfants et adolescents de moins de 15 ans ne doivent pas utiliser l'appareil exceptés les adolescents assistés d'un adulte.
- Inspectez l'appareil avant utilisation. Remplacez les pièces endommagées. Regardez s'il y a des fuites de carburant. Assurez-vous que les fixations sont solidement en place. Remplacez les pièces de l'accessoire de coupe qui sont fendillées, ébréchées ou endommagées. Assurez-vous que l'accessoire de coupe est correctement installé et solidement fixé. Assurez-vous que le protecteur d'accessoire de coupe est correctement fixé et positionné comme recommandé. Vous risquez sinon de causer des blessures à l'opérateur et aux spectateurs, et d'endommager l'appareil.
- Utilisez uniquement du fil de remplacement d'origine de 2,67 mm (0,105 po) de diamètre. N'utilisez jamais de fil, de chaîne ou de cordon à renfort métallique car ils peuvent se briser et se transformer en projectile dangereux.
- Soyez conscient des risques de blessure à la tête, aux mains et aux pieds.
- Dégagez la zone de coupe avant chaque usage. Enlevez tous les objets pouvant être projetés ou happés par l'accessoire de coupe : cailloux, verre brisé, clous, fil ou ficelle. Éloignez enfants, spectateurs et animaux de la zone de coupe. Tenez-les à au moins 15 m (50 pi) de là mais sachez que les spectateurs risquent quand même d'être atteints par des objets projetés. Les spectateurs doivent porter des protections oculaires. Arrêtez immédiatement le moteur et l'accessoire de coupe si quelqu'un s'approche de vous.
- Appuyez sur la manette des gaz et assurez-vous qu'elle revient automatiquement en position de ralenti. Procédez à tous les réglages ou réparations avant d'utiliser l'appareil.
- N'attachez et n'utilisez cet appareil avec aucun type de lame ou d'accessoire de débroussaillage. Vous pouvez vous procurer un kit d'accessoire de débroussaillage auprès du fabricant. Voir la **Section 6, Entretien**, pour le numéro de référence de l'accessoire. Utilisez uniquement le kit d'accessoire du fabricant.

### AVERTISSEMENTS DE SÉCURITÉ CONCERNANT LES DÉSHERBEUSES À GAZ

**AVERTISSEMENT:** l'essence est extrêmement inflammable et ses vapeurs peuvent exploser si on y met le feu. Veuillez prendre les précautions suivantes :

- Ne stockez le carburant que dans des contenants spécialement conçus et homologués pour le stockage de ce type de matières.

# Sécurité (suite)

- Arrêtez toujours le moteur et laissez-le refroidir avant de remplir le réservoir de carburant. N'enlevez jamais le bouchon du réservoir et n'ajoutez jamais de carburant pendant que le moteur est chaud. Ne faites jamais fonctionner l'appareil sans que le bouchon de carburant soit bien mis. Desserrez lentement le bouchon afin de réduire la pression du réservoir.
- Évitez de créer une source d'allumage pour le carburant déversé. Ne démarrez pas le moteur avant que les vapeurs de carburant ne se soient dissipées.
- Ajustez la poignée selon votre taille pour mieux l'agripper.
- Mélangez et ajoutez le carburant dans un endroit bien aéré et propre en plein air à l'abri des étincelles ou des flammes. N'enlevez lentement le bouchon du réservoir d'essence qu'après avoir arrêté le moteur. Ne fumez pas pendant le remplissage ou le mélange de carburant. Essuyez immédiatement tout déversement de carburant de l'appareil.
- Éloignez l'appareil d'au moins 3 m (10 pi) de la source de ravitaillement en carburant avant de démarrer le moteur. Ne fumez pas et éloignez toute source d'étincelles ou de flammes vives du lieu de ravitaillement ou de fonctionnement de l'appareil.

## PENDANT L'UTILISATION DE L'APPAREIL

- Évitez de démarrer ou de faire marcher l'appareil à l'intérieur d'une pièce ou d'un bâtiment fermé. La respiration de fumées d'échappement peut tuer. Ne faites fonctionner cet appareil qu'à l'extérieur dans un endroit bien aéré.
- Portez des lunettes de sécurité conformes aux normes ANSI Z87.1 ainsi que des protège-oreilles durant l'utilisation de l'appareil. Portez un masque facial ou antipoussières si vous travaillez dans un lieu poussiéreux.
- Portez des pantalons épais et longs, des bottes, des gants et une chemise à manches longues. Ne marchez pas pieds nus et évitez les vêtements lâches, bijoux, pantalons courts et sandales. Relevez les cheveux au-dessus des épaules.
- Le protecteur d'accessoire de coupe doit toujours être en place lors de l'utilisation de l'appareil. Ne faites pas marcher l'appareil sans que les deux fils soient bien déployés, en supposant qu'un fil approprié a été installé. Assurez-vous que le fil ne dépasse pas le protecteur de sécurité.
- Cet appareil est muni d'un embrayage. L'accessoire de coupe reste stationnaire lorsque le moteur est au ralenti. Si ce n'est pas le cas, faites régler l'appareil par un technicien agréé.
- Ajustez la poignée en D selon votre taille pour mieux l'agripper.
- \* Avant de démarrer l'appareil, assurez-vous que l'accessoire de coupe ne touche aucun objet.
- N'utilisez l'appareil qu'en plein jour ou avec un bon éclairage artificiel.
- Évitez tout démarrage accidentel. Mettez-vous en position de démarrage chaque fois que vous tirez sur la corde de démarrage. L'opérateur et l'appareil doivent tous deux être en position stable à ce moment-là. Voir **Section 5, Fonctionnement**.
- Ne vous étirez pas. Tenez-vous toujours bien sur vos pieds en position d'équilibre.
- Tenez toujours l'appareil des deux mains lorsque vous le faites marcher. Agrippez fermement les poignées avant et arrière.
- Gardez les mains, le visage et les pieds éloignés des pièces mobiles. Ne touchez pas et n'essayez pas d'arrêter l'accessoire de coupe en rotation.
- Ne touchez pas le moteur, le boîtier d'engrenages ni le silencieux. Ces pièces deviennent très chaudes à l'utilisation. Elles restent chaudes brièvement après l'arrêt.
- Servez-vous des outils appropriés. N'utilisez cet outil que pour son usage prévu.
- Ne faites pas fonctionner le moteur à un régime plus élevé que nécessaire pour couper, tailler ou faire les bordures. Ne faites pas tourner le moteur à haut régime si vous ne vous faites pas de coupe.
- Arrêtez toujours le moteur lorsque vous suspendez la coupe ou lorsque vous vous déplacez d'un lieu de travail vers un autre.
- Si vous heurtez un corps étranger ou que celui-ci est happé, arrêtez le moteur immédiatement et vérifiez que rien n'a été endommagé. Ne faites pas fonctionner avant réparation des dommages. Ne faites pas marcher l'appareil si les pièces sont desserrées ou endommagées.
- Arrêtez et éteignez le moteur dans les cas suivants: entretien, réparation ou changement d'accessoires ou autres.
- Utilisez uniquement des pièces de rechange et accessoires d'origine pour cet appareil. Vous les trouverez chez votre distributeur agréé. L'utilisation de pièces ou accessoires non autorisés par le fabricant peut causer des blessures graves, endommager l'appareil et annuler sa garantie.
- Gardez l'appareil exempt d'accumulation de végétation ou autres matières. Celles-ci peuvent rester logées entre l'accessoire de coupe et le protecteur.
- Afin de diminuer les risques d'incendie, remplacez tout silencieux ou pare-étincelles défectueux et conservez le moteur et le silencieux exempts d'herbe, de feuilles et d'accumulation excessive de graisse ou de carbone.

## AUTRES AVERTISSEMENTS DE SÉCURITÉ

- N'entreposez jamais l'appareil rempli de carburant dans un édifice où les vapeurs peuvent atteindre une source de flammes vives ou d'étincelles.
- Laissez le moteur se refroidir avant de l'entreposer ou de le transporter. Attachez bien l'appareil pendant le transport.
- Rangez l'appareil dans un endroit verrouillé et sec, ou élevé et sec, hors de portée des enfants, pour éviter une utilisation indésirable ou un accident.
- Ne trempez et n'arrosez jamais l'appareil avec de l'eau ou tout autre liquide. Gardez les poignées sèches, propres et exemptes de débris. Nettoyez après chaque usage. Voir les sections **Nettoyage et Entreposage**.
- Conservez ces instructions. Consultez-les souvent et servez-vous en pour instruire d'autres usagers. Si vous prêtez l'appareil à quelqu'un, prêtez-lui également ces instructions.

## CONSERVEZ CES INSTRUCTIONS



## SYMBOLES DE SÉCURITÉ ET INTERNATIONAUX

Ce manuel de l'utilisateur décrit les symboles et pictogrammes de sécurité et internationaux pouvant apparaître sur ce produit. Consultez le manuel de l'utilisateur pour les informations concernant la sécurité, le montage, le fonctionnement, l'entretien et les réparations.

### SYMBOLE

### SIGNIFICATION



#### • SYMBOLE ALERTE DE SÉCURITÉ

Indique un danger, un avertissement ou une mise en garde. Ce symbole peut être combiné à d'autres symboles ou pictogrammes.



#### • AVERTISSEMENT - LISEZ LE MANUEL DE L'UTILISATEUR

Lisez le manuel de l'utilisateur et suivez tous les avertissements et consignes de sécurité. Vous pourriez à défaut entraîner des blessures graves pour vous ou d'autres personnes.



#### • POUR LES QUESTIONS D'ENTRETIEN :

1 (877) 282-8684



#### • PORTEZ DES PROTECTIONS (YEUX ET OREILLES)

**AVERTISSEMENT:** les objets projetés et les bruits forts peuvent endommager la vue et l'ouïe. Portez une visière de norme ANSI Z87.1 et des protège-oreilles pendant l'utilisation.



#### • ÉLOIGNEZ LES SPECTATEURS

**AVERTISSEMENT:** éloignez tout spectateur, les enfants et les animaux domestiques en particulier, d'au moins 15 m (50 pi) de la zone de coupe.

5-7x



#### • POIRE D'AMORÇAGE

Enfoncez la poire d'amorçage complètement et lentement de 5 à 7 fois.



#### • CARBURANT SANS PLOMB

Utilisez toujours du carburant sans plomb frais et propre.



#### • NIVEAU D'HUILE

Voir le manuel de l'utilisateur pour le type d'huile approprié.



#### • LES OBJETS PROJETÉS ET LA TÊTE ROTATIVE PEUVENT CAUSER DES BLESSURES GRAVES

**AVERTISSEMENT:** ne faites pas fonctionner sans protecteur de sécurité en plastique. Tenez-vous à l'écart de l'accessoire de coupe rotatif.



#### • COMMANDE MARCHE/ARRÊT STOP

ALLUMAGE / DÉMARRAGE / MARCHE



#### • COMMANDE MARCHE/ARRÊT STOP

ARRÊT OU STOP



#### • AVERTISSEMENT SURFACE CHAUDE

Ne touchez pas le silencieux, le boîtier d'engrenages ou le cylindre s'ils sont chauds. Vous pourriez vous brûler. Ces pièces deviennent très chaudes à l'utilisation. Elles restent chaudes brièvement après l'arrêt.

## Sécurité (suite)

---

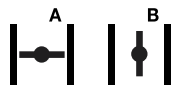
### SYMBOLE



### SIGNIFICATION

#### • LAME AIGUISÉE

**AVERTISSEMENT:** le protecteur d'accessoire de coupe comporte une lame aiguisée. Ne touchez pas la lame pour éviter des blessures graves.



#### • LEVIER D'ÉTRANGLEUR

A • Position de DÉMARRAGE.

B • Position MARCHÉ.



**AVERTISSEMENT :** l'utilisation d'outils électriques peut provoquer la projection d'objets vers les yeux, ce qui peut les blesser gravement. Mettez toujours des lunettes de sécurité conformes aux normes ANSI Z87.1, ainsi qu'un masque intégral au besoin, avant l'utilisation d'un outil électrique.

**CE QUI SUIT SERVIRA DE RÉFÉRENCE UNE FOIS L'APPAREIL ASSEMBLÉ AVEC LE KIT D'ACCESSOIRE DE DÉBROUSSAILLAGE DU FABRICANT.**



## AVERTISSEMENT

N'attachez et n'utilisez cet appareil avec aucun type de lame ou d'accessoire de débroussaillage. Vous pouvez vous procurer un kit d'accessoire de débroussaillage auprès du fabricant. Voir la Section 6, Entretien de l'accessoire. Utilisez uniquement le kit d'accessoire du fabricant. Vous risquez sinon de vous blesser ainsi que les personnes alentour et/ou endommager l'appareil.



#### • DÉBROUSSAILLEUSES : remplacez la lame émoussée.

N'aiguissez pas la lame de coupe car son extrémité risquerait de casser à l'usage et causer des blessures graves.



#### • DÉSHERBEUSE/DÉBROUSSAILLEUSE : SÉCURITÉ

**AVERTISSEMENT:** les objets projetés et la tête coupante rotative peuvent causer des blessures graves. Éloignez les spectateurs, les enfants et les animaux domestiques en particulier, d'au moins 15 m (50 pieds) de la zone de coupe. Vous devez utiliser le protecteur d'accessoire de coupe lorsque vous vous servez de l'accessoire de coupe de la désherbeuse.

# Familiarisez-vous avec l'appareil

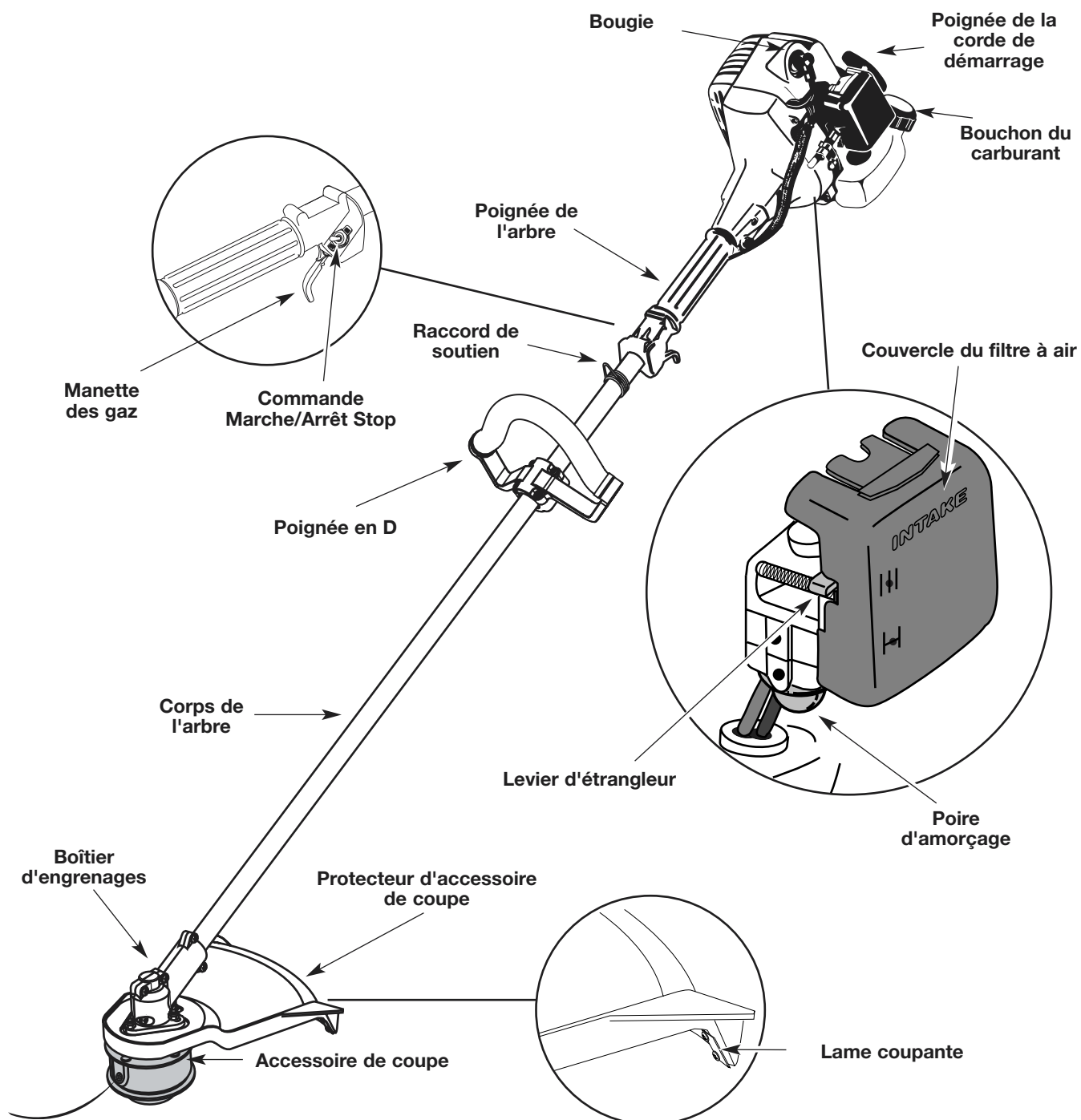
## APPLICATIONS

Comme désherbeuse ;

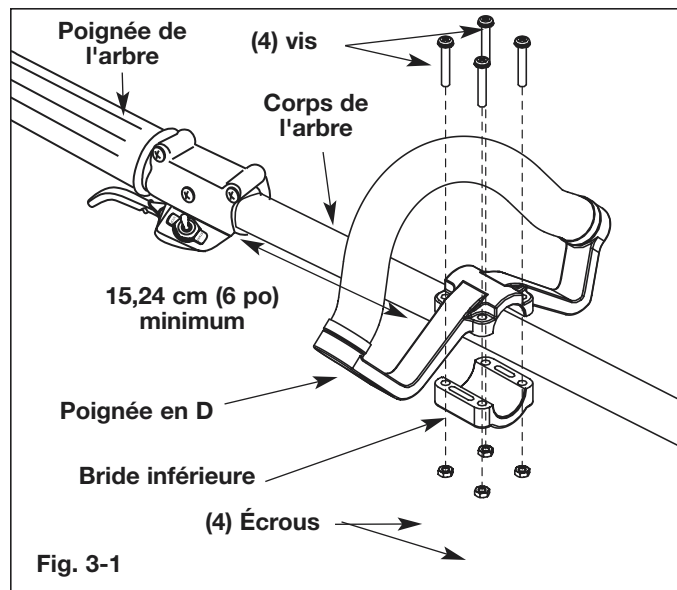
- Coupe d'herbe et de mauvaises herbes.
- Coupe de bordures
- Taille autour des arbres, des clôtures, etc.

Avec le kit d'accessoire de débroussaillage en option;

- Coupe de mauvaises herbes et broussailles légères de 1,3 cm (1/2") de diamètre maximum.



# Assemblage



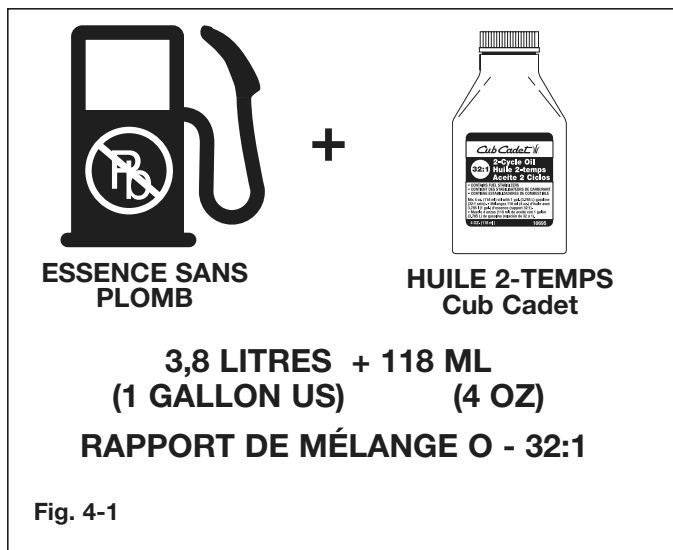
La poignée en D peut être préinstallée sur certains appareils. Dans ce cas, il suffit de desserrer les vis et ajuster la poignée en fonction de l'opérateur. Passez à l'étape 4 pour l'ajustement.

### INSTALLATION ET RÉGLAGE DE LA POIGNÉE EN D

1. Retirez les vis, écrous et la bride inférieure posés sur la poignée en D avant livraison.
2. Placez la poignée en D sur le corps de l'arbre et au-dessus de la bride inférieure (Fig. 3-1). Placez-la à au moins 15,24 cm (6 po) de l'extrémité de la prise de l'arbre.
3. Maintenez d'un doigt chaque écrou hex dans le renforcement de la bride inférieure. Commencez à visser à l'aide d'un tournevis. Ne serrez pas avant de régler le guidon.
4. Si elle a déjà été préinstallée, desserrez les quatre vis de fixation de la poignée en D juste assez pour pouvoir la déplacer.
5. Tenez l'appareil en position d'utilisation (Fig. 3-2), puis positionnez la poignée en D de manière à assurer une prise idéale.
6. Serrez les vis de bride uniformément jusqu'à bien fixer la poignée.



# Huile et carburant



## MÉLANGE D'HUILE ET DE CARBURANT

En général, si l'appareil ne fonctionne pas correctement, c'est que le carburant est vieux ou mal mélangé. Prenez soin d'utiliser de l'essence sans plomb fraîche et propre. Suivez à la lettre les instructions de mélange de carburant et d'huile.

### Définition des carburants mélangés

Les carburants d'aujourd'hui sont souvent un mélange d'essence et d'oxygénés comme l'éthanol, le méthanol ou l'éther MTBE. Un carburant mélangé à l'alcool absorbe l'eau. Il suffit de 1 % d'eau pour séparer le carburant et l'huile. Cela forme de l'acide pendant le stockage. Si vous devez utiliser ce type de carburant, servez-vous de carburant frais (moins de 60 jours).

### Usage de carburants mélangés

Si vous choisissez d'utiliser ou ne pouvez éviter d'utiliser un carburant mélangé, suivez les conseils suivants :

- Utilisez toujours un mélange de carburant frais selon le manuel de l'utilisateur.
- Agitez toujours le mélange de carburant avant d'alimenter l'appareil.
- Videz le réservoir et faites marcher le moteur jusqu'à l'assécher avant d'entreposer l'appareil.

### Utilisation d'additifs de carburant

La bouteille d'huile 2-temps Cub Cadet livrée avec l'appareil contient un additif permettant d'empêcher la corrosion et de minimiser la formation de résidus de gomme. Nous vous recommandons d'utiliser ce type d'huile uniquement.

Si cela n'est pas disponible, utilisez une bonne huile 2-temps conçue pour les moteurs à 2-temps refroidis par air en y ajoutant un additif, tel que le stabilisant de gaz STA-BIND ou un produit équivalent. Ajoutez 23 ml (0,8 oz) d'additif par 4 litres (1 gallon) de carburant selon les instructions du récipient. N'ajoutez JAMAIS d'additifs directement dans le réservoir de l'appareil.

## ⚠ MISE EN GARDE

Pour assurer un bon fonctionnement et une fiabilité maximale du moteur, suivez à la lettre les instructions de mélange d'huile et de carburant du récipient d'huile 2-temps. L'emploi de carburant mal mélangé peut endommager le moteur sérieusement.

Mélangez soigneusement l'huile moteur 2-temps avec de l'essence sans plomb dans un bidon séparé. Utilisez un rapport 32:1 d'essence/huile. Ne les mélangez pas directement dans le réservoir de carburant. Voir la Figure 4-1 pour les rapports de mélange d'essence et d'huile.

**REMARQUE :** 3,8 litres (1 gallon) d'essence sans plomb mélangés avec une bouteille de 118 ml (4 oz) d'HUILE Cub Cadet 2-TEMPS donnent un rapport d'essence/huile de 32:1.

## ⚠ AVERTISSEMENT

L'essence est extrêmement inflammable et les vapeurs qui s'en dégagent peuvent exploser si on y met le feu. Arrêtez toujours le moteur et laissez-le refroidir avant de remplir le réservoir. Ne fumez pas en remplissant le réservoir. Éloignez toute source d'étincelles ou de flammes vives de la zone.

## ⚠ AVERTISSEMENT

Enlevez le bouchon du réservoir lentement pour ne pas être blessé par les jets d'essence. Ne faites pas marcher l'appareil sans que le bouchon soit bien mis.

## ⚠ AVERTISSEMENT

Ajoutez du carburant dans un lieu propre et bien aéré en plein air. Essayez immédiatement tout déversement de carburant. Évitez de mettre le feu au carburant déversé. Ne démarrez pas le moteur avant dissipation des vapeurs de carburant.

**REMARQUE :** Éliminez le vieux mélange de carburant conformément aux règlements fédéral, provincial et municipal en vigueur.

# Fonctionnement

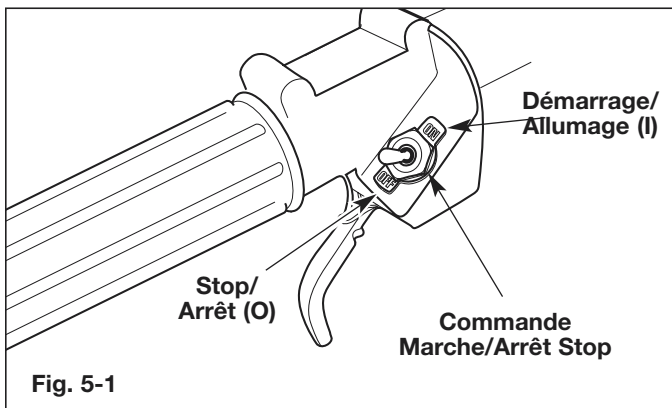


Fig. 5-1

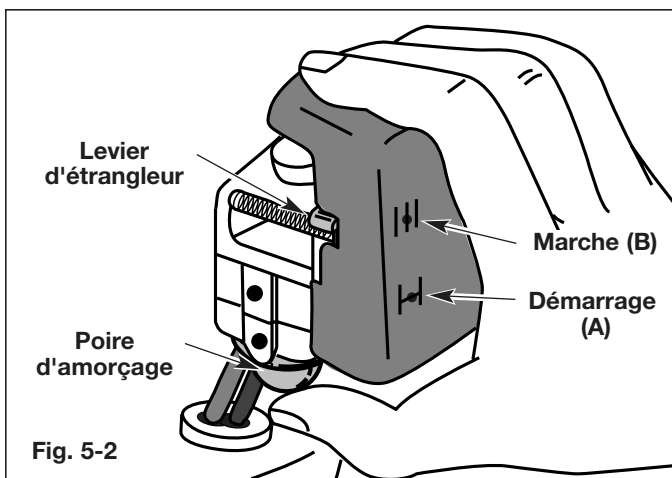


Fig. 5-2

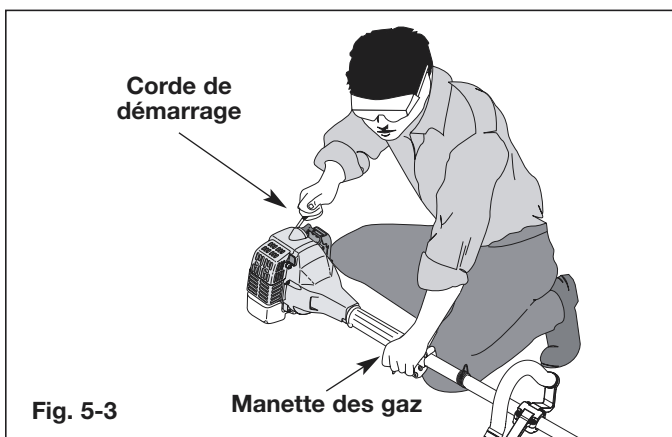


Fig. 5-3

## INSTRUCTIONS DE DÉMARRAGE

### AVERTISSEMENT

Faites uniquement marcher l'appareil dans un lieu extérieur bien aéré. Les fumées d'échappement d'oxyde de carbone peuvent être fatales dans un lieu confiné.

### AVERTISSEMENT

Évitez tout démarrage accidentel. Mettez-vous en position de démarrage lorsque vous tirez sur la corde de démarrage. Pour éviter de causer des blessures sérieuses, l'opérateur et l'appareil doivent être dans une position stable.

## INSTRUCTIONS DE DÉMARRAGE

1. Mélangez l'essence avec l'huile. Remplissez le réservoir du mélange d'essence et d'huile. Voir Section 4, Huile et carburant.
2. Mettez la commande Marche/Arrêt Stop en position de DÉMARRAGE (I) (Fig. 5-1).
3. Enfoncez complètement puis relâchez lentement la poire d'amorçage 5 à 7 fois. Vous devriez sentir et voir de l'essence dans la poire (Fig. 5-2). S'il n'y a pas de carburant dans la poire, appuyez trois fois ou plus ou jusqu'à ce qu'il y pénètre.
4. Mettez le levier d'étrangleur en position de DÉMARRAGE (A) (Fig. 5-2).
5. L'appareil étant au sol, appuyez sur la manette des gaz et gardez-la enfoncée. Tirez rapidement sur la corde de démarrage (Fig. 5-3). Continuez de tirer jusqu'à ce que le moteur semble vouloir démarrer (après 2 à 5 coups).

**REMARQUE :** appuyez sur la manette des gaz jusqu'à ce que le moteur démarre et se réchauffe.

6. Mettez le levier d'étrangleur en position de MARCHÉ (B) (Fig. 5-2).
7. Tirez brusquement sur la corde de démarrage 1 à 3 fois pour démarrer le moteur (Fig. 5-3).
8. Si le moteur ne démarre pas, répétez les étapes 4 à 7.

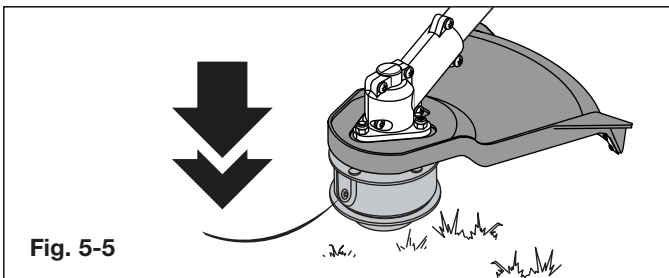
**REMARQUE :** si le moteur se noie durant le démarrage, placez le levier d'étrangleur en position MARCHÉ (B). Appuyez sur la manette des gaz. Tirez rapidement sur la corde de démarrage. Le moteur devrait démarrer après 3 à 8 coups.

9. Appuyez sur la manette des gaz de 5 à 10 secondes pour réchauffer le moteur. Mettez le levier d'étrangleur en position de MARCHÉ (B) (Fig. 5-2).

**REMARQUE :** il n'est pas nécessaire d'utiliser l'étrangleur pour démarrer un moteur chaud. Mettez la commande Marche/Arrêt Stop en position de DÉMARRAGE (I) (Fig. 5-1) et le levier d'étrangleur en position de MARCHÉ (B) (Fig. 5-2).

## INSTRUCTIONS D'ARRÊT

1. Relâchez la manette des gaz (Fig. 5-3). Laissez le moteur tourner au ralenti.
2. Pour arrêter le moteur, mettez la commande de Marche/Arrêt Stop en position d'ARRÊT [O] (Fig. 5-1).



## TENUE DE LA DÉSHERBEUSE

### **⚠ AVERTISSEMENT**

**Portez toujours des protections (yeux, oreilles, pieds et corps) pour diminuer les risques de blessures durant l'utilisation de l'appareil.**

Avant de faire marcher l'appareil, tenez-vous en position de fonctionnement (Fig. 5-4). Vérifiez les points suivants:

- L'opérateur porte une visière et des vêtements appropriés.
- Le bras droit est légèrement plié et la main tient l'arbre par sa prise.
- Le bras gauche est droit et la main tient la poignée.
- L'appareil est au-dessous de la ceinture.
- L'accessoire de coupe est parallèle au sol et touche facilement la végétation sans que l'opérateur ne doive se pencher.

## RÉGLAGE DE LA LONGUEUR DU FIL

L'accessoire de coupe Bump Head vous permet de donner du fil sans arrêter le moteur. Pour avoir plus de fil, tapez doucement l'accessoire de coupe sur le sol (Fig. 5-5) tout en faisant marcher la désherbeuse à haut régime.

**REMARQUE : gardez toujours le fil bien déroulé. Il devient plus difficile de donner du fil à mesure que le fil de coupe devient plus court.**

Chaque fois que vous donnez un coup sur la tête, vous déroulez environ 25,4 mm (1 po) de fil. La lame du protecteur d'accessoire de coupe est conçue pour couper le fil à la bonne longueur si vous déroulez trop de fil.

Pour de meilleurs résultats, tapez la tête Bump Head sur un sol dégagé ou dur. Si vous donnez du fil dans un lieu d'herbe haute, vous risquez de caler le moteur. Gardez toujours le fil bien déroulé. Il devient plus difficile de donner du fil à mesure que le fil de coupe se raccourci.

**REMARQUE : Ne posez pas la tête de butée sur le sol lorsque l'appareil est en marche.**

### **⚠ MISE EN GARDE**

**N'enlevez pas ni n'altérez l'ensemble de la lame coupante. Un excès de fil surchauffera l'embrayage. Ceci pourrait causer des blessures graves ou endommager l'appareil.**

Le fil peut se briser dans les cas suivants :

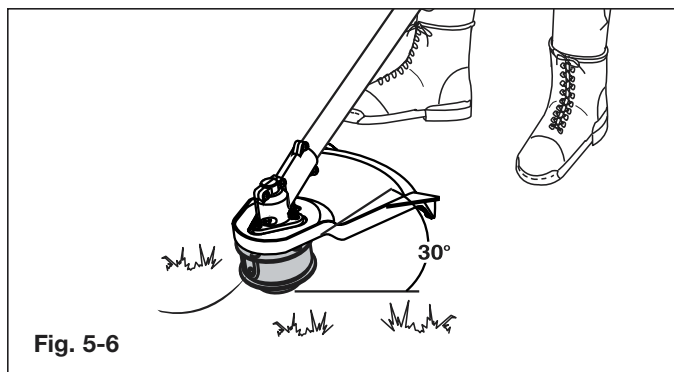
- Happement de corps étrangers
- Usure normale du fil
- Coupe de mauvaises herbes épaisses à longues tiges
- Forcer le fil dans des objets comme des murs ou des poteaux de clôture

## CONSEILS POUR BIEN DÉSHERBER

- Le bon angle pour l'accessoire de coupe est parallèle au sol.
- Ne forcez pas l'accessoire. Coupez avec la pointe du fil (surtout le long des murs). Utiliser plus que la pointe diminue l'efficacité de la coupe et peut surcharger le moteur.
- Coupez l'herbe de plus de 200 mm (8 po) en procédant de haut en bas par petits incréments pour éviter d'user le fil prématurément ou de freiner le moteur.
- Coupez de droite à gauche chaque fois que possible. Cela améliore l'efficacité de coupe de l'appareil et les résidus de coupe sont projetés loin de l'opérateur.
- Déplacez lentement la désherbeuse dans et hors de la zone de coupe à la hauteur voulue. Procédez d'avant en arrière ou d'un côté à l'autre. Les coupes de longueur plus courte donnent les meilleurs résultats.
- Ne désherbez que lorsque l'herbe et les mauvaises herbes sont sèches.
- La durée de vie de votre fil de coupe dépend
  - de l'application des techniques de coupe précédentes
  - du type de végétation à couper
  - du lieu de coupe

Par exemple, le fil s'use plus vite si vous coupez le long d'un mur de fondation que si vous coupez autour d'un arbre.

## Fonctionnement (suite)



### COUPE DÉCORATIVE

La coupe décorative consiste à déblayer la végétation autour des arbres, des bornes, des clôtures, etc.

Tournez entièrement l'appareil de manière à ce que l'accessoire de coupe soit à un angle de 30° par rapport au sol (Fig. 5-6).

## Section 6

# Entretien

**REMARQUE :** certaines procédures d'entretien nécessitent des compétences ou des outils particuliers. Si vous n'êtes pas sûr de pouvoir les entreprendre, portez votre appareil à un concessionnaire agréé.

### PROGRAMME D'ENTRETIEN

L'entretien doit respecter la fréquence indiquée dans le tableau ci-dessous. Il doit également faire partie de toute mise au point saisonnière.

### AVERTISSEMENT

Ne faites jamais d'entretien ou de réparation avec l'appareil en marche mais plutôt lorsque le moteur est froid. Déconnectez le câble de bougie pour vous assurer que l'appareil ne démarrera pas.

QUAND	ENTRETIEN REQUIS	VOIR :
Avant le démarrage du moteur	Remplissez le réservoir de carburant du mélange d'essence/huile approprié.	Page 9
Toutes les 10 heures	Nettoyez le filtre à air et lubrifiez-le de nouveau.	Page 15
Toutes les 25 heures	Vérifiez le pare-étincelles et nettoyez-le Vérifiez l'état de la bougie et l'écartement des électrodes	Page 15 Page 17



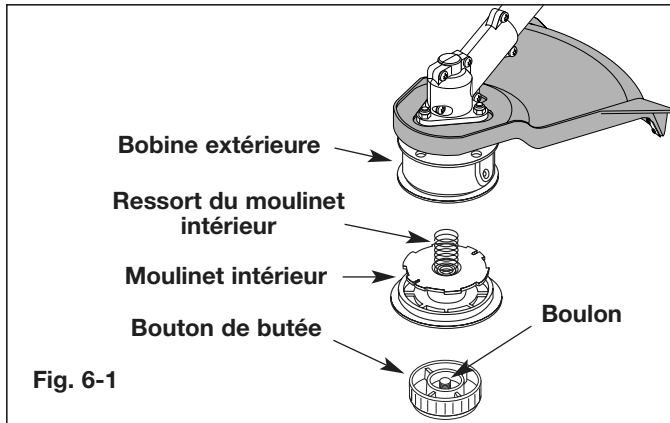


Fig. 6-1

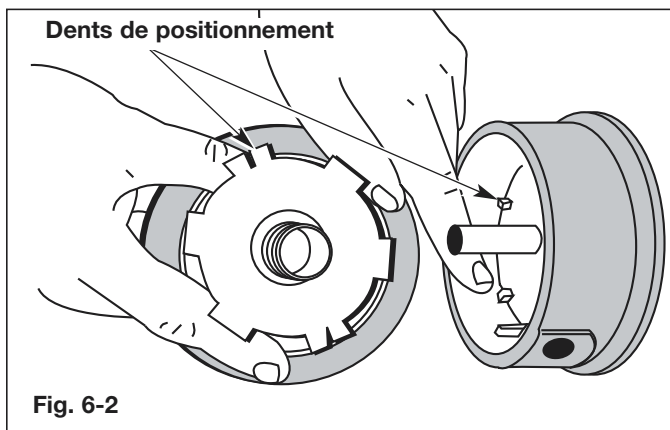


Fig. 6-2

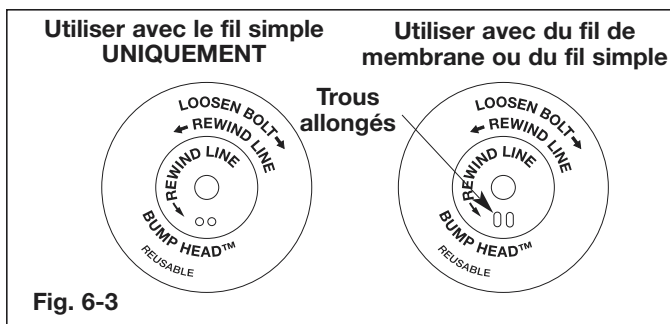


Fig. 6-3

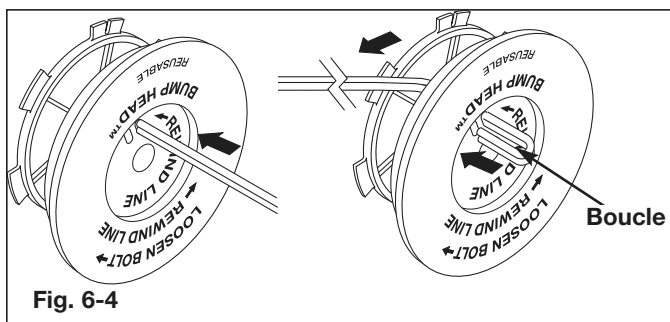


Fig. 6-4

## INSTALLATION DU FIL

Cette section couvre l'installation de fil à membrane et l'installation de fil simple standard.

Utilisez toujours un fil de remplacement d'origine de 2,67 mm (0,105 po). Un autre fil pourrait surchauffer ou endommager le moteur.

## ⚠ AVERTISSEMENT

**N'utilisez jamais de fil, de chaîne ou de cordon à renfort métallique car ils peuvent se briser et se transformer en projectile dangereux.**

**Vous pouvez remplacer le fil de deux façons :**

- Rembobinez du fil neuf dans le moulinet intérieur
- Installer un moulinet intérieur prérembobiné

### Rembobiner le moulinet intérieur existant

1. Tenez la bobine extérieure d'une main et dévissez le bouton de butée vers à droite (Fig. 6-1). Inspectez le boulon à l'intérieur du bouton de butée pour vous assurer qu'il se déplace librement. Remplacez le bouton de butée s'il est endommagé.
2. Retirez le moulinet intérieur de la bobine extérieure (Fig. 6-1).
3. Retirez le ressort du moulinet (Fig. 6-1).
4. Nettoyez le moulinet intérieur, le ressort, et l'arbre et la surface interne de la bobine extérieure à l'aide d'un tissu propre.
5. Vérifiez l'état d'usure des dents de positionnement sur le moulinet intérieur et la bobine extérieure (Fig. 6-2). Enlevez les ébarbures ou remplacez le moulinet et la bobine au besoin.

**REMARQUE :** le fil de membrane peut être utilisé seulement avec le moulinet intérieur à trous allongés. Le fil simple peut être utilisé avec les deux sortes de moulinet intérieur. Identifiez votre type de moulinet en vous référant à la figure 6-3.

**REMARQUE :** utilisez toujours la bonne longueur de fil lorsque vous posez le fil sur l'appareil. Le fil risque de ne pas se dérouler correctement s'il est trop long.

### Installation du fil simple

**Pour l'installation du fil de membrane, passez à l'étape 8.**

6. Découpez environ 9,1 m (30 pi) de fil neuf et faites-en deux boucles de longueurs égales. Insérez chaque extrémité de fil dans l'un des deux trous du moulinet (Fig. 6-4). Tirez le fil à travers le moulinet pour que la boucle soit le plus petit possible.
7. Enroulez les fils en couches uniformes serrées sur le moulinet (Fig. 6-5). Enroulez le fil dans le sens indiqué sur le moulinet intérieur. Placez votre index entre les deux fils pour les empêcher de se superposer. Ne superposez pas les extrémités du fil. Passez à l'étape 11.

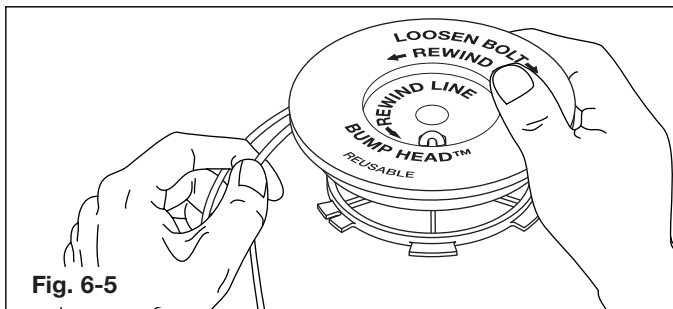


Fig. 6-5

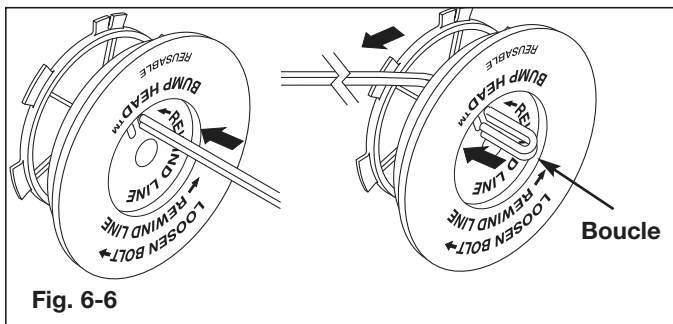


Fig. 6-6

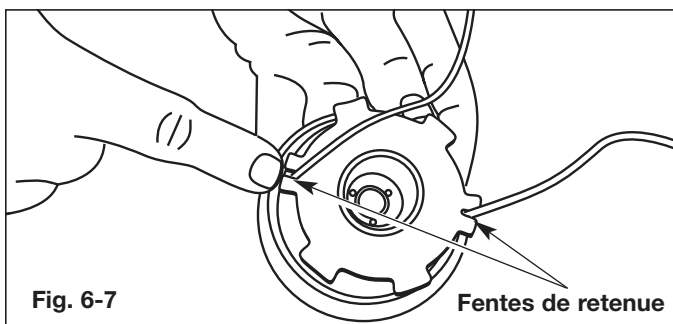


Fig. 6-7

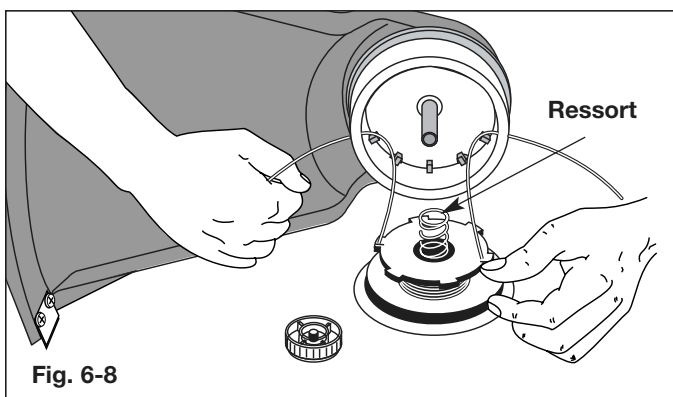


Fig. 6-8

### Installation du fil de membrane

8. Découpez environ 4,6 m (15 pi) de fil neuf. Insérez une extrémité de fil dans l'un des deux trous du moulinet intérieur (Fig. 6-6). Tirez le fil jusqu'à ne laisser que 10 cm (4 po) environ.
9. Insérez l'extrémité du fil dans le trou ouvert du moulinet et tirez sur le fil pour que la boucle soit le plus petit possible (Fig. 6-6).
10. Avant de rembobiner le fil, séparez-le en deux sur une longueur d'environ 15 cm (6 po).
11. Enroulez le fil en couches uniformes serrées dans le sens indiqué sur le moulinet intérieur.

**REMARQUE : Ne pas enrouler le fil dans le sens indiqué entraînera un mauvais fonctionnement de l'accessoire de coupe.**

12. Insérez les extrémités du fil dans les deux fentes de retenue (Fig. 6-7).
13. Insérez les extrémités du fil dans les œillets de la bobine extérieure et placez le moulinet et le ressort dans la bobine (Fig. 6-8). Enfoncez le moulinet et la bobine ensemble. Tout en tenant le moulinet et la bobine, saisissez les extrémités et tirez fermement pour dégager le fil des fentes de retenue de la bobine.

**REMARQUE : Le ressort doit être installé dans le moulinet intérieur avant de remonter l'accessoire de coupe.**

14. Maintenez le moulinet intérieur en place et installez le bouton de butée en le tournant à gauche. Vissez bien.

### Installation d'un moulinet prérembobiné

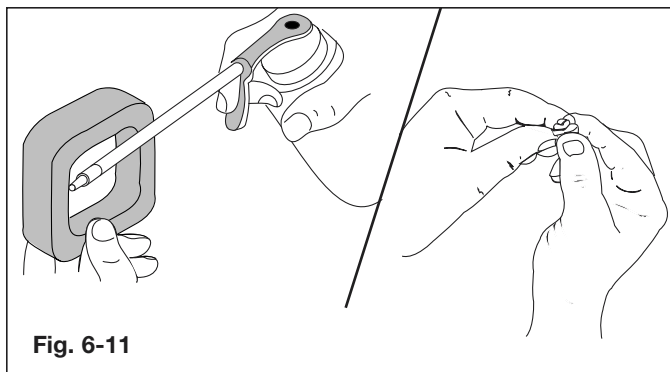
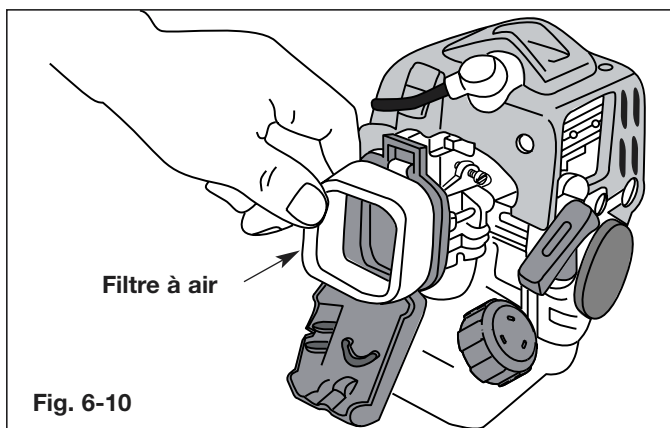
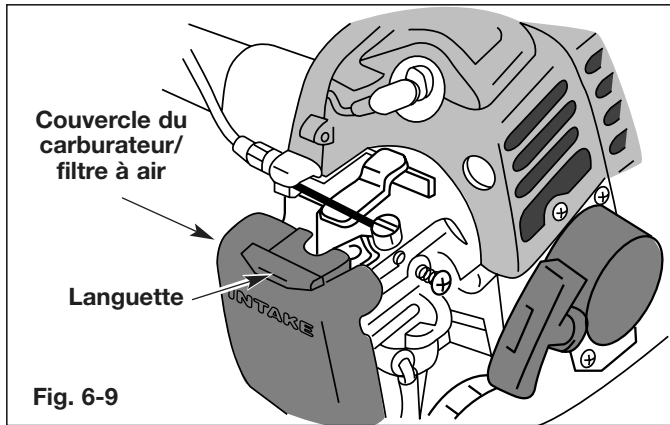
1. Tenez la bobine extérieure d'une main et dévissez le bouton de butée vers à droite (Fig. 6-1). Inspectez le boulon à l'intérieur du bouton de butée pour vous assurer qu'il se déplace librement. Remplacez le bouton de butée s'il est endommagé.
2. Retirez l'ancien moulinet intérieur de la bobine extérieure (Fig. 6-1).
3. Retirez le ressort de l'ancien moulinet intérieur (Fig. 6-1).
4. Placez le ressort dans le moulinet intérieur neuf.

**REMARQUE : le ressort doit être installé dans le moulinet intérieur avant de remonter l'accessoire de coupe.**

5. Insérez les extrémités du fil dans les œillets de la bobine extérieure (Fig. 6-8).
6. Placez le moulinet intérieur neuf dans la bobine. Poussez le moulinet et la bobine ensemble. Tout en tenant le moulinet et la bobine, saisissez les extrémités et tirez fermement pour dégager le fil des fentes de retenue de la bobine.
7. Maintenez le moulinet intérieur en place et installez le bouton de butée en le tournant à gauche. Vissez bien.

### Pièces de rechange :

Voir Accessoires et pièces de rechange à la page 18.



## ENTRETIEN DU FILTRE À AIR

### Nettoyage du filtre à air

#### **⚠ AVERTISSEMENT**

Pour éviter des blessures graves, éteignez toujours la désherbeuse et laissez-la refroidir avant tout nettoyage ou entretien.

Nettoyez et relubrifiez le filtre à air à toutes les 10 heures de fonctionnement. Son entretien est très important. Si vous ne le faites pas, cela ANNULERA la garantie.

1. Retirez le couvercle du carburateur/filtre à air en appuyant sur la languette sur le haut du couvercle (Fig. 6-9).
2. Retirez le filtre à air (Fig. 6-10).
3. Lavez le filtre dans un mélange d'eau et de détergent. Rincez-le abondamment et laissez sécher.
4. Appliquez une quantité suffisante d'huile moteur propre SAE 30 pour enduire légèrement le filtre (Fig. 6-11).
5. Pressez le filtre pour répandre et drainer l'excédent d'huile (Fig. 6-11).
6. Réinstallez le filtre (Fig. 6-10) et le couvercle du filtre à air (Fig. 6-9).

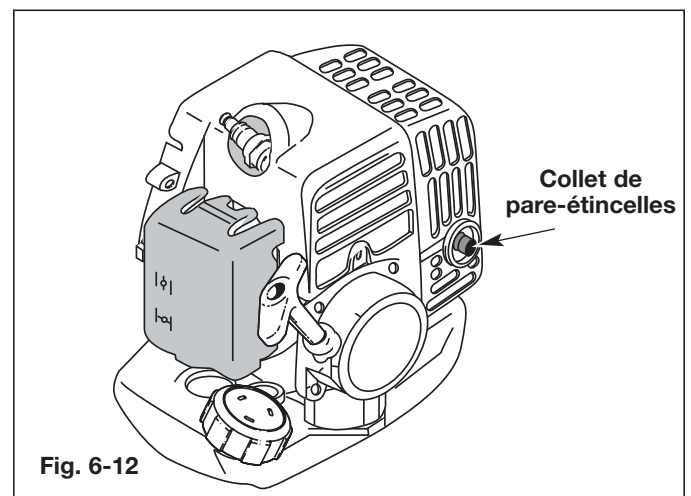
**REMARQUE :** si vous faites fonctionner l'appareil sans filtre à air, vous ANNULEREZ la garantie.

## ENTRETIEN DU PARE-ÉTINCELLES

#### **⚠ AVERTISSEMENT**

Pour éviter des blessures graves, éteignez toujours la désherbeuse et laissez-la refroidir avant tout nettoyage ou entretien.

1. Tournez la tête d'entraînement de telle manière que la partie arrière du moteur soit face vers l'avant. Dans cette position, la corde de démarrage est à gauche (Fig. 6-12).

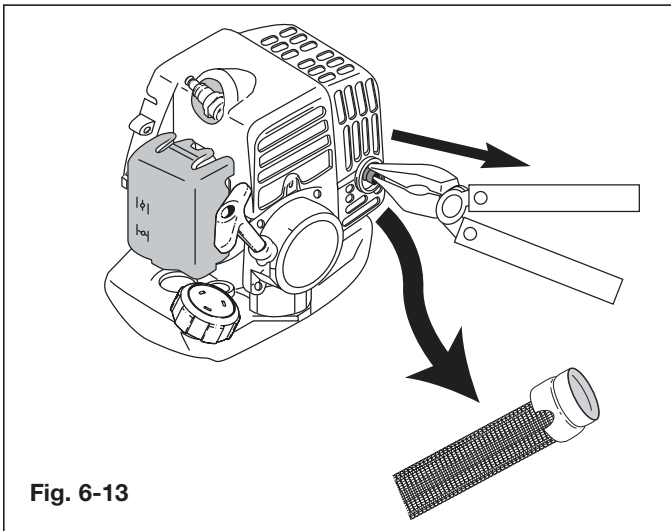


## Entretien (suite)

- Utilisez une pince à becs effilés pour saisir le collet du pare-étincelles et retirez-le du silencieux. (Fig. 6-13).

**REMARQUE :** *utilisez uniquement une pince à becs effilés. D'autres pinces ou outils peuvent endommager le pare-étincelles.*

- Nettoyez le pare-étincelles à l'aide d'une brosse métallique. Remplacez-le s'il est endommagé ou si vous n'arrivez pas à le nettoyer complètement.
- Remplacez le pare-étincelles. Servez-vous de la pince à becs effilés pour enfoncer doucement le pare-étincelles dans le silencieux jusqu'à ce qu'il se mette en place d'un déclic.



### RÉGLAGE DU CARBURATEUR

Le ralenti du moteur est réglable à l'aide de la vis qui se trouve près du couvercle du filtre à air (Fig. 6-14).

**REMARQUE :** *des réglages non soigneux peuvent endommager sérieusement l'appareil. Les réglages de carburateur doivent être faits par un concessionnaire agréé.*

#### Vérification du mélange de carburant

En général, si l'appareil ne fonctionne pas correctement, c'est que le carburant est vieux ou mal mélangé. Videz puis remplissez le réservoir de carburant frais et bien mélangé avant d'effectuer des réglages. Voir Section 5, Huile et carburant.

#### Nettoyage du filtre à air

L'état du filtre à air est très important pour le fonctionnement de l'appareil. Un filtre à air sale restreint le débit d'air et affecte le mélange de carburant/air. On confond souvent cela avec un mauvais réglage du carburateur. Vérifiez l'état du filtre à air avant de régler la vis de réglage de ralenti. Voir Section 6, Entretien.

### Réglage de la vis de réglage de ralenti

## ⚠ AVERTISSEMENT

**Il se peut que l'accessoire de coupe tourne pendant un réglage de carburateur. Portez des vêtements protecteurs et respectez toutes les consignes de sécurité pour éviter des blessures graves.**

Si le moteur ne se met toujours pas au ralenti après vérification du mélange de carburant et nettoyage du filtre à air, réglez la vis de ralenti comme suit :

- Démarrez le moteur et laissez-le tourner à haut régime pendant une minute pour se réchauffer.
- Relâchez le levier d'accélérateur et laissez le moteur au ralenti. Si le moteur s'arrête, insérez un petit tournevis à embout cruciforme ou à tête plate dans la vis près du couvercle du filtre à air (Fig. 6-14). Vissez la vis de 1/8 de tour à la fois (selon le besoin) jusqu'à ce que le moteur tourne au ralenti.

**REMARQUE :** *l'accessoire de coupe ne devrait pas tourner lorsque le moteur est au ralenti.*

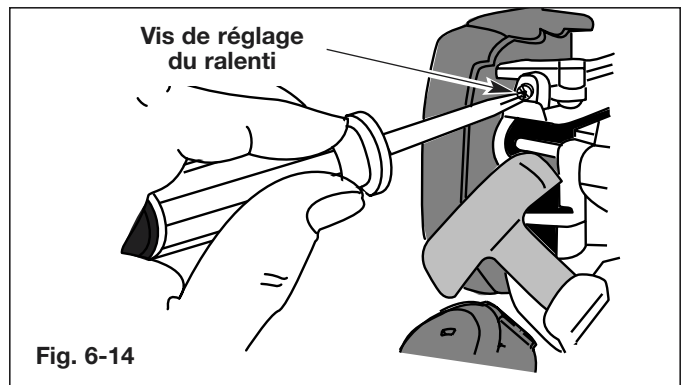
- S'il tourne, dévissez la vis de ralenti de 1/8 de tour à la fois (selon le besoin) pour réduire la vitesse de ralenti.

La vérification du mélange de carburant, le nettoyage du filtre à air et le réglage de la vis de ralenti devraient résoudre la plupart des problèmes de moteur.

Dans le cas contraire et si :

- Le moteur ne se met pas au ralenti,
- Le moteur hésite ou se cale lors d'une accélération,
- Le moteur perd de la puissance,

Faites régler le carburateur par un concessionnaire agréé.



## REPLACEMENT DE LA BOUGIE

Utilisez une bougie Champion RCJ6Y (ou un modèle équivalent). L'écartement correct est de 0,655 mm (0,025 po). Retirez la bougie après 25 heures de fonctionnement et vérifiez son état.

1. Arrêtez le moteur et laissez-le refroidir. Saisissez fermement le câble de la bougie et retirez le capuchon de celle-ci.
2. Nettoyez toute saleté de la bougie. Retirez la bougie de la culasse en tournant la douille de 5/8 po à gauche.
3. Remplacez toute bougie fendillée, encrassée ou sale. Réglez l'écartement à 0,655 mm (0,025 po) à l'aide d'une jauge d'épaisseur (Fig. 6-15).

## ⚠ MISE EN GARDE

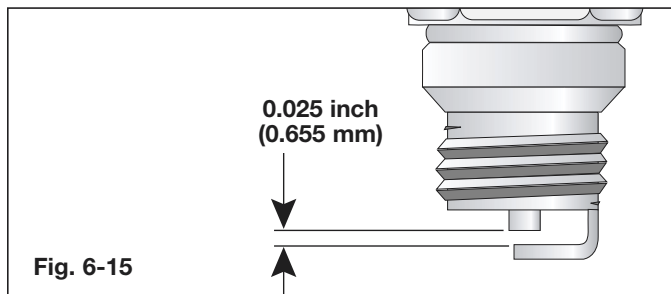
**Évitez de sabler, gratter ou nettoyer les électrodes car de la saleté dans le moteur pourrait endommager le cylindre.**

4. Installez la bougie avec un écartement correct dans la culasse en tournant la douille de 5/8 po à droite jusqu'à la bien visser.

Si vous utilisez une clé dynamométrique vissez avec les valeurs de couple suivantes :

**110-120 po•lb (12,3-13,5 N•m).**

Évitez de trop serrer.



## ACCESSOIRES / PIÈCES DE RECHANGE

Bougie .....	791-181765
Pare-étincelles .....	791-182153
Cartouche de fil de rechange .....	153-1160
Ressort du moulinet intérieur .....	791-610636
Ens. du bouton Bump Head .....	791-180814
Bouchon de carburant .....	791-180000
Kit d'accessoire de débroussaillage .....	41AM079G100
Harnais d'épaupe .....	791-682075
Récepteur d'huile 2-temps à bec verseur (16 oz) ..	791-180965

Ces pièces de rechange sont disponibles auprès du détaillant qui vous a vendu votre désherbeuse ou votre distributeur *Cub Cadet* local.

## NETTOYAGE

### ⚠ AVERTISSEMENT

**Pour éviter des blessures graves, éteignez toujours l'appareil et laissez-le refroidir avant tout nettoyage ou entretien.**

Nettoyez l'extérieur de l'appareil à l'aide d'une petite brosse. N'utilisez pas de détergents concentrés. Les nettoyants ménagers contenant des huiles aromatiques tel que le pin et le citron, et les solvants tel que le kérosène peuvent endommager le boîtier ou la poignée en plastique. Essayez toute trace d'humidité à l'aide d'un tissu doux.

## ENTREPOSAGE

- Ne rangez jamais l'appareil plein de carburant dans un lieu où les vapeurs peuvent atteindre une flamme vive ou des étincelles.
- Laissez le moteur se refroidir avant de l'entreposer.
- Rangez l'appareil dans un lieu verrouillé pour éviter toute utilisation ou accident indésirable.
- Rangez l'appareil dans un lieu sec et bien aéré.
- Rangez l'appareil hors de la portée des enfants.

## ENTREPOSAGE DE LONGUE DURÉE

Si vous comptez entreposer l'appareil pendant une longue période :

1. Videz tout le carburant du réservoir dans un récipient. N'utilisez pas de carburant stocké pendant plus de 60 jours. Éliminez le vieux carburant conformément à la réglementation fédérale, provinciale et municipale en vigueur.
2. Démarrez le moteur, puis laissez-le tourner jusqu'à ce qu'il cale. Cela permet de s'assurer que le carburateur s'est vidé de son carburant.
3. Laissez le moteur refroidir. Retirez la bougie et versez environ 30 ml (1 oz) d'huile moteur de qualité dans le cylindre. Tirez lentement sur la corde de démarrage pour bien distribuer l'huile. Remplacez la bougie.

**REMARQUE : retirez la bougie et videz toute l'huile du cylindre avant de mettre en marche la désherbeuse après une période d'entreposage.**

4. Nettoyez soigneusement l'appareil et vérifiez qu'il ne comporte pas de pièces desserrées ou endommagées. Réparez ou remplacez les pièces endommagées, puis serrez les vis, écrous et boulons desserrés. L'appareil est alors prêt pour l'entreposage.

## TRANSPORT

- Laissez le moteur refroidir avant le transport.
- Attachez bien l'appareil lors du transport.
- Videz tout le carburant du réservoir avant le transport.
- Serrez le bouchon du réservoir avant le transport.

# Dépannage

### LE MOTEUR REFUSE DE DÉMARRER

#### CAUSE

La commande Marche/Arrêt Stop est en position ARRÊT.  
Réservoir de carburant vide  
La poire d'amorçage n'a pas été pressée assez fort  
Moteur noyé

Carburant vieux ou mal mélangé  
Bougie encrassée  
Pare-étincelles colmaté

#### SOLUTION

Mettez-la en position MARCHÉ  
Remplissez e de carburant bien mélangé.  
Pressez-la complètement et lentement de 5 à 7 fois  
Utilisez la procédure de démarrage, levier d'étrangleur en position MARCHÉ, p. 11.  
Drainez le réservoir/ajoutez du carburant frais  
Remplacez ou nettoyez-la  
Nettoyez ou remplacez le pare-étincelles

### LE MOTEUR REFUSE DE SE METTRE AU RALENTI

#### CAUSE

Filtre à air bouché  
Carburant vieux ou mal mélangé  
Mauvais réglage du carburateur

#### SOLUTION

Remplacez ou nettoyez-le  
Drainez le réservoir/ajoutez du carburant frais  
Ajustez selon l'instruction de la page 16

### LE MOTEUR REFUSE D'ACCÉLÉRER

#### CAUSE

Carburant vieux ou mal mélangé  
Mauvais réglage du carburateur  
Accessoire de coupe engorgé d'herbes  
Filtre à air sale  
Pare-étincelles colmaté

#### SOLUTION

Drainez le réservoir/ajoutez du carburant frais  
Faites-le régler par un concessionnaire agréé  
Arrêtez le moteur et nettoyez l'accessoire  
Remplacez ou nettoyez-le  
Nettoyez ou remplacez le pare-étincelles

### LE MOTEUR MANQUE DE PUISSANCE OU SE CALE DURANT LA COUPE

#### CAUSE

Carburant vieux ou mal mélangé  
Mauvais réglage du carburateur  
Bougie encrassée  
Pare-étincelles colmaté

#### SOLUTION

Drainez le réservoir/ajoutez du carburant frais  
Faites-le régler par un concessionnaire agréé  
Remplacez ou nettoyez-la  
Nettoyez ou remplacez le pare-étincelles

### LA TÊTE DE COUPE NE FAIT PAS AVANCER LE FIL

#### CAUSE

Accessoire de coupe engorgé d'herbes  
Accessoire de coupe mal aligné  
Moulinet intérieur bloqué  
Tête de coupe sale  
Fil soudé

Fil tordu durant la recharge  
Quantité insuffisante de fil exposée

#### SOLUTION

Arrêtez le moteur et nettoyez l'accessoire  
Chargez du fil neuf  
Remplacez le moulinet  
Nettoyez le moulinet intérieur et la bobine extérieure  
Démontez et déposez la partie soudée, et rembobinez le fil  
Démontez puis rembobinez le fil  
Enfoncez le bouton de butée (Bump Head) et tirez le fil jusqu'à en extraire 102 mm (4 po) à l'extérieur de l'accessoire de coupe

# Caractéristiques

## MOTEUR

Type de moteur	Refroidi par air, 2-temps
Cylindrée	25 cc (1,4 po <sup>3</sup> )
Type d'embrayage	Centrifuge
Régime ralenti	2.400-3.600 tr/min
Régime de fonctionnement	7.000-8.600 tr/min
Type d'allumage	Électronique
Contact d'allumage	Interrupteur à bascule
Écartement de la bougie	0.655 mm (0,025 po)
Lubrification	Mélange carburant/huile
Rapport carburant/huile	32:1
Carburateur	Membrane, toutes positions
Démarrateur	Rebobinage automatique
Silencieux	Chicane avec protection
Accélérateur	À rappel manuel
Capacité du réservoir de carburant	591 ml (20 oz)

## ARBRE D'ENTRAÎNEMENT ET TÊTE À FIL

Logement de l'arbre d'entraînement	Tube d'aluminium
Manette des gaz	Détente à portée du doigt
Poids de l'appareil (sans carburant, avec tête de coupe à fil, protecteur de sécurité et poignée en boucle)	4.9 kg (11 lb)
Mécanisme de coupe	Bump Head
Diamètre de la bobine de fil	101.6 mm (4 po)
Diamètre du fil	2.67 mm (0.105 po)
Diamètre du chemin de coupe	44 cm (18 po)

## GARANTIE LIMITÉE DU FABRICANT POUR:

# Cub Cadet

La garantie limitée énoncée ci-après est accordée par Cub Cadet LLC et concerne les marchandises neuves achetées et utilisées aux États-Unis, ses possessions et territoires.

Cub Cadet LLC garantit ce produit contre tout vice de matière ou de façon pendant une période de deux (2) ans à compter de la date d'achat initiale et elle se réserve le choix de réparer ou de remplacer, à titre gratuit, toute pièce présentant un vice de matière ou de façon. Cette garantie limitée ne s'appliquera que dans la mesure où le produit aura été utilisé et entretenu conformément au Manuel de l'utilisateur fourni avec le produit et n'aura pas fait l'objet d'un usage inadéquat, abusif, commercial ou négligent, d'un accident, d'un entretien inadéquat, d'une modification, de vandalisme, d'un vol, d'un incendie, de dégâts d'eau ou d'un endommagement résultant d'un autre péril ou d'un désastre naturel. Les dommages résultants de l'installation ou de l'utilisation de tout accessoire ou équipement non approuvé par Cub Cadet LLC pour une utilisation avec le(s) produit(s) couvert(s) par le présent manuel annuleront la garantie en ce qui concerne les dommages qui en résulteraient éventuellement. La présente garantie est limitée à quatre-vingt-dix (90) jours à compter de la date d'achat au détail initiale pour tout produit Cub Cadet utilisé à des fins locatives ou commerciales, ou toute utilisation produisant des revenus.

**POUR L'OBTENTION DU SERVICE DE GARANTIE :** le service au titre de la garantie est disponible, SUR PRÉSENTATION D'UNE PREUVE D'ACHAT, AUPRÈS DU DISTRIBUTEUR AGRÉÉ LOCAL. Pour trouver un distributeur dans votre région, visitez notre site Web [www.cubcadet.com](http://www.cubcadet.com), consultez les pages Jaunes, appelez le 1 (877) 282-8684 ou écrivez à l'adresse P.O. Box 361131, Cleveland, OH 44136-0019.

**La garantie limitée n'offre aucune couverture dans les cas suivants :**

- A. Mises au point : bougies, réglages de carburateur, filtres
- B. Éléments pouvant s'user : boutons de butée, bobines extérieures, fil de coupe, moulins intérieurs, poulie du démarreur, cordes de démarrage, courroies d'entraînement
- C. Cub Cadet LLC n'accorde aucune garantie pour les produits vendus ou exportés des États-Unis d'Amérique, de leurs possessions et territoires, exception faite en ce qui concerne les produits vendus par l'intermédiaire de ses canaux agréés de distribution à l'exportation.

Cub Cadet LLC se réserve le droit de modifier ou d'améliorer la conception de ses produits sans pour autant assumer l'obligation de modifier tout produit d'une fabrication plus ancienne.

**Aucune garantie implicite, y compris toute garantie de valeur marchande ou d'adaptation à une fin particulière, ne s'applique après la période applicable de garantie expresse écrite ci-dessus concernant les pièces qui sont identifiées. Aucune autre garantie ou caution expresse, écrite ou orale, à l'exception de celle mentionnée ci-dessus, accordée par toute personne ou entité, y compris tout distributeur ou détaillant, concernant tout produit n'engagera la responsabilité de Cub Cadet LLC. Pendant la période de garantie, le recours exclusif est la réparation ou le remplacement du produit dans les conditions énoncées ci-dessus.** (Certains états ne permettent pas la limitation de la garantie implicite, il est donc possible que la limitation ci-dessus ne s'applique pas à vous.)

**Les clauses énoncées dans la présente Garantie constituent le recours unique et exclusif inhérent aux ventes. Cub Cadet LLC ne sera en aucun cas tenue pour responsable de tout dommage indirect ou consécutif ou de dommages comprenant, entre autres, les dépenses encourues du fait du recours à des services de remplacement ou de substitution pour l'entretien des pelouses, le transport ou des frais connexes, ou les frais entraînés par une location destinée à remplacer provisoirement un produit sous garantie.** (Certains états ne permettent pas la limitation de la garantie implicite, il est donc possible que la limitation ci-dessus ne s'applique pas à vous.)

Aucun recouvrement, quel qu'il soit, ne sera d'un montant supérieur au prix du produit vendu. Toute modification des dispositifs de sécurité du produit annulera la présente Garantie. Vous assumez tout risque et toute responsabilité résultant de la perte, de l'endommagement ou du préjudice que vous et votre propriété et/ou d'autres et leur propriété pourront encourir d'un fait de l'utilisation normale, de la mauvaise utilisation ou de l'incapacité d'utiliser le produit.

La présente garantie limitée n'est accordée qu'à l'acheteur initial, au preneur initial ou à la personne à laquelle le produit a été offert.

**Le droit des États vis à vis de la présente garantie :** cette garantie vous accorde des droits spécifiques et il est possible que vous ayez d'autres droits qui pourraient varier d'un état à l'autre.

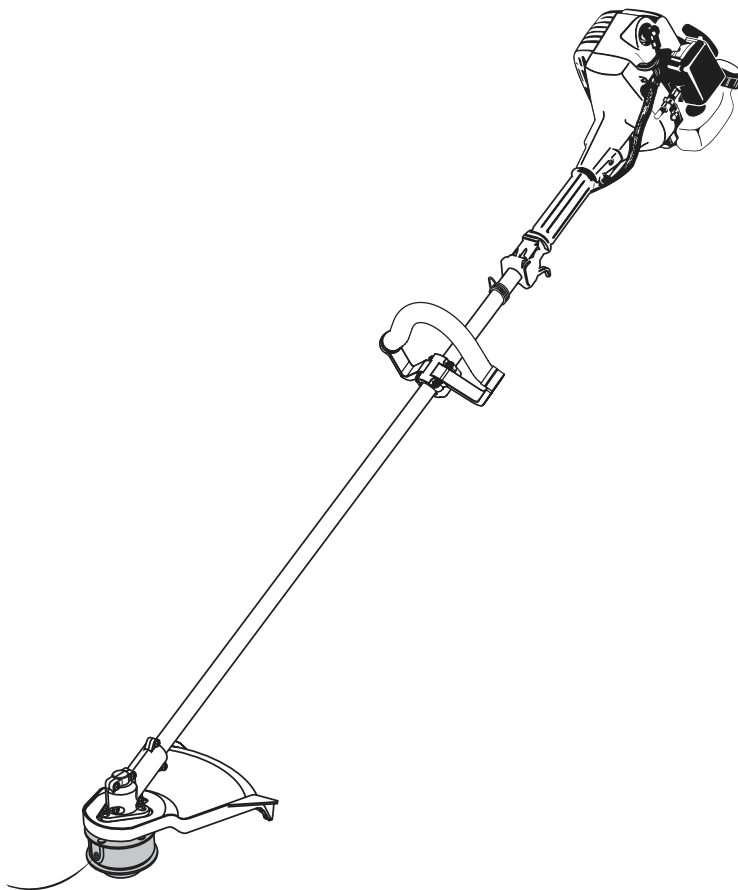
Pour obtenir l'adresse du distributeur réparateur le plus proche, composez le :  
1 (877) 282-8684

**Cub Cadet LLC**  
P.O. Box 361131  
Cleveland, OH 44136-0019



# Cub Cadet

## Manual del Dueño/Operador



Recortador  
de 2 ciclos  
Modelo CC 3000

### IMPORTANTE: LEA LAS INSTRUCCIONES DE SEGURIDAD CUIDADOSAMENTE

Advertencia: Para los usuarios en tierras forestales de los EE.UU. y en los estados de California, Maine, Oregon y Washington. Todos los terrenos forestales de los EE.UU. y en el estado de California (Códigos de Recursos Públicos 4442 y 4443), Oregon y Washington, requieren, por decreto, que ciertos motores de combustión interna que se hagan funcionar en zonas boscosas y /o zonas cubiertas por pastizales, estén equipados con un parachispas, que sean mantenidos en buen estado de funcionamiento o que el motor sea construido, esté equipado y sea mantenido para evitar incendios. Consulte los reglamentos pertinentes a esos requisitos con las autoridades estatales o locales. El incumplimiento de esos requisitos puede responsabilizarle o someterle a la imposición de una multa. Esta unidad fue equipada en la fábrica con un parachispas. Si requiere sustitución, pídale al distribuidor de Cub Cadet que le instale el Juego parachispas, Pieza de Accesorio #791-181696 o contacte al departamento de servicio.

**Cub Cadet LLC P.O. Box 361131 Cleveland, OH 44136-0019**

## **INDICE DE MATERIAS**

Contenido	Página
Sección 1: Seguridad . . . . .	3
Sección 2: Familiarícese con su unidad. . . . .	7
Sección 3: Ensamblaje . . . . .	8
Sección 4: Aceite y Combustible . . . . .	9
Sección 5: Funcionamiento . . . . .	10
Sección 6: Mantenimiento . . . . .	12
Sección 7: Solución de problemas. . . . .	18
Sección 8: Especificaciones . . . . .	19
Sección 9: Garantía . . . . .	20

### **PARA EL PROPIETARIO**

Gracias por comprar este producto de calidad. Esta moderna herramienta motorizada para uso al aire libre le brindará muchas horas de servicio. Se dará cuenta que es un gran dispositivo para el ahorro de trabajo. Este manual del operador le brinda instrucciones de funcionamiento fáciles de entender. Lea el manual completo y siga todas las instrucciones para que mantenga su herramienta motorizada de uso al aire libre en el mejor estado de funcionamiento, antes de poner en marcha y hacer funcionar este equipo.

Toda la información, los dibujos y especificaciones en este manual se basan en la última información del producto disponible en el momento de la impresión. Nos reservamos el derecho a hacer cambios en cualquier momento y sin previo aviso. El servicio que se le haga a esta unidad tanto dentro del periodo de garantía como después, solamente debe ser hecho por un distribuidor de Cub Cadet. Es necesario presentar el comprobante de compra para el servicio de garantía.

### **UBICACIÓN DEL NÚMERO DEL MODELO**

Antes de que empiece a ensamblar su nuevo equipo, por favor ubique la placa que contiene el modelo de la unidad y escriba esa información en el espacio en blanco aquí debajo. Esa información es importante si necesita ayuda del distribuidor de Cub Cadet.

- El número del modelo lo encuentra en el bastidor del eje de la unidad, al lado del interruptor de control para encendido/apagado. Aquí debajo se explica la muestra de una placa del modelo. Para referencia futura, por favor escriba el número del modelo y el número de la serie del equipo en el espacio aquí debajo.



**Copie el número del modelo/  
pieza del fabricante aquí:** \_\_\_\_\_

**Copie el número  
de serie aquí:** \_\_\_\_\_

### **LLAMADAS A APOYO AL CLIENTE**

Si tiene dificultad con el ensamblaje de este producto o tiene alguna pregunta relacionada con los controles, el funcionamiento o el mantenimiento de esta unidad, por favor llame a la Línea de Recomendación de Distribuidores para Clientes.



Llame al 1-877-282-8684 para que contacte la Línea de Recomendación de Distribuidores para Clientes. Por favor tenga listo el número del modelo de su unidad cuando llame. Vea la sección anterior para que encuentre esa información.

# Seguridad

Los símbolos de seguridad se utilizan para llamar su atención sobre posibles peligros. Los símbolos de seguridad y sus explicaciones merecen toda su atención y comprensión. Los símbolos de seguridad no eliminan ningún peligro por sí mismos. Las instrucciones o advertencias que ofrecen no substituyen las medidas adecuadas de prevención de accidentes.

**SIMBOLO SIGNIFICADO**



**SIMBOLO DE ALERTA DE SEGURIDAD:**

Indica peligro, advertencia o precaución. Debe prestar atención para evitar sufrir graves lesiones personales. Puede ser utilizado junto con otros símbolos o figuras.

**NOTA:** Le ofrece información o instrucciones que son esenciales para la operación o mantenimiento del equipo.



**PELIGRO**

El no obedecer una advertencia de seguridad puede conducir a que usted u otras personas sufran graves lesiones. Siga siempre las precauciones de seguridad para reducir el riesgo de incendio, descarga eléctrica y lesiones personales.



**ADVERTENCIA**

El no seguir una advertencia de seguridad puede conducir a que usted u otras personas sufran lesiones. Siga siempre las precauciones de seguridad para reducir el riesgo de incendio, descarga eléctrica y lesiones personales.



**PRECAUCION**

El no seguir una advertencia de seguridad puede conducir a daño patrimonial o a que usted u otras personas sufran lesiones personales. Siga siempre las precauciones de seguridad para reducir el riesgo de incendio, descarga eléctrica y lesiones personales.

• **IMPORTANTE INFORMACION DE SEGURIDAD** •



**ADVERTENCIA:**

Escape del motor, algunos de sus componentes y ciertos componentes del vehículo contienen o emiten sustancias químicas que el estado de California sabe causan el cáncer y defectos de nacimiento u otros problemas asociados con la reproducción.

**LEA TODAS LAS INSTRUCCIONES**

**ANTES DE LA OPERACION**

- Lea todas las instrucciones con cuidado. Conozca bien los controles y el uso correcto de la unidad.
- No opere esta unidad si está cansado, enfermo, o bajo los efectos del alcohol, drogas o medicamentos.
- Los niños y los adolescentes menores de 15 años no deben operar las unidades, excepto por los adolescentes guiados por un adulto.
- Inspeccione la unidad antes de utilizarla. Cambie las partes dañadas. Verifique si existen pérdidas de combustible. Asegúrese de que los sujetadores estén bien colocados y asegurados. Cambie las partes accesorias de corte que estén quebradas, cascadas o dañadas de cualquier forma. Asegúrese de que el accesorio de corte está bien instalado y ajustado con firmeza. Asegúrese de que la protección accesoría de corte esté bien conectada y colocada según se recomienda.
- Use solamente una línea de repuesto genuina del fabricante de 0.105 pulgadas (2.67 mm) de diámetro. No use nunca una línea reforzada con metal, alambre, cadena ni sogas, etc. Podrían desprenderse y convertirse en un proyectil peligroso.
- Tenga en cuenta el riesgo de lesiones en la cabeza, manos y pies.

- Limpie el área de corte antes de cada uso. Retire todos los objetos como rocas, vidrios rotos, clavos, alambre o cuerda los cuales pueden ser despedidos o enredarse en el accesorio de corte. Aleje a todos los niños, espectadores y animales domésticos. Mantenga todos los niños, espectadores y animales domésticos a un radio de por lo menos 50 pies (15 m); aún así puede existir un riesgo de objetos despedidos contra los espectadores. Los espectadores deben usar protección para sus ojos. Si alguien se le acerca, pare el motor y el accesorio de corte de inmediato.
- Oprima el control del regulador y verifique que regrese automáticamente a la posición de mínima. Haga todos los ajustes o reparaciones antes de usar la unidad.
- No conecte ni use esta unidad con ningún tipo de cuchilla para cortar malezas o accesorios para cortar malezas ya que la unidad ya está instalada. El fabricante dispone de un accesorio para cortar malezas. Vea la **Sección 6, Mantenimiento** para obtener el número de pieza del accesorio. Use solamente el juego de accesorios del fabricante.

**ADVERTENCIAS DE SEGURIDAD PARA LOS RECORTADORES A GASOLINA**

**ADVERTENCIA:** La gasolina es muy inflamable y sus gases pueden explotar si se encienden. Tome las siguientes precauciones:

# Seguridad (continuación)

---

- Guarde el combustible en envases que hayan sido diseñados y aprobados para el almacenamiento de dichos materiales.
- Antes de llenar el tanque de combustible, apague siempre el motor y espere que se enfríe. No retire nunca la tapa del tanque de combustible ni cargue combustible mientras el motor esté caliente. No opere nunca la unidad sin la tapa del combustible colocada firmemente en su lugar. Afloje la tapa del combustible lentamente para disipar la presión del tanque.
- Mezcle y cargue el combustible en un área exterior bien ventilada donde no haya chispas ni llamas. Quite lentamente la tapa del combustible sólo después de apagar el motor. No fume mientras carga o mezcla el combustible. Limpie de inmediato todo el combustible que se haya derramado.
- Evite crear una fuente de encendido por combustible derramado. No arranque el motor hasta que se hayan disipado los vapores del combustible.
- Aleje la unidad a por lo menos 10 pies (3 m.) del lugar de carga de combustible antes de arrancar el motor. No fume, mantenga las chispas y las llamas abiertas lejos del área mientras carga el combustible u opera la unidad.

## DURANTE LA OPERACION

- No arranque ni opere la unidad en una sala o edificio cerrado. Los gases de escape de monóxido de carbono pueden ser letales en un área cerrada. Opere esta unidad sólo en un área exterior bien ventilada.
- Use lentes o gafas de protección que cumplan con las normas ANSI Z87.1, y protección para sus oídos/audición mientras opere esta unidad. Use siempre una máscara facial o para protegerse contra el polvo si la operación levanta polvo.
- Use pantalones largos y gruesos, botas, guantes y camisa de manga larga. No use ropa holgada, alhajas, pantalones cortos, sandalias ni esté descalzo. Sostenga el cabello sobre el nivel de los hombros.
- La protección accesoria de corte debe estar siempre colocada en su lugar mientras opere la unidad. No opere la unidad con las dos líneas de corte extendidas, y la línea correcta instalada. No extienda la línea de corte más allá de la longitud de la protección.
- Esta unidad cuenta con un embrague. El accesorio de corte permanece estacionario cuando el motor está en marcha lenta. Si no lo hace, haga ajustar la unidad por un técnico de servicio autorizado.
- Ajuste la manija en D a su medida de modo que le brinde el mejor agarre.
- \* Asegúrese de que el accesorio de corte no esté en contacto con nada antes de hacer arrancar la unidad.
- Use la unidad únicamente con la luz del día o con buena luz artificial.
- Evite arrancar la unidad accidentalmente. Colóquese en posición de inicio siempre que tire de la cuerda de arranque. El operador y la unidad deben estar en una posición estable al comenzar. Vea la **Sección 5, Operación**.
- Use la herramienta adecuada. No use esta unidad para ninguna tarea para la cual no ha sido diseñada.
- No se estire demasiado. Mantenga siempre una posición y equilibrio adecuados.
- Sostenga siempre la unidad con ambas manos mientras esté en funcionamiento. Sostenga con firmeza tanto el mango como la manija auxiliar.
- Mantenga las manos, la cara y los pies lejos de todas las partes móviles. No intente tocar ni detener el accesorio de corte mientras gira.
- No toque el motor, el bastidor del engranaje ni el silenciador. Estas partes se calientan mucho con la operación. Luego de apagar la unidad, permanecen calientes durante un tiempo breve.
- No opere el motor a una velocidad mayor que la necesaria para cortar, recortar o recortar los bordes. No haga funcionar el motor a alta velocidad mientras no está cortando.
- Apague siempre el motor cuando demore el corte o mientras camina entre zonas de corte.
- Si golpea o se enreda con algún objeto extraño, apague el motor de inmediato y verifique si hay daños. Repare todos los daños antes de volver a intentar operar la unidad. No opere la unidad si tiene piezas flojas o dañadas.
- Apague el motor para realizar todo el mantenimiento, reparaciones o cambio del accesorio de corte u otros accesorios.
- Use solamente repuestos y accesorios genuinos del fabricante para esta unidad. Estos están disponibles de su proveedor de servicio autorizado. El uso de repuestos o accesorios no autorizados por el fabricante podría causar serias lesiones al usuario, o dañar la unidad y cancelar su garantía.
- Mantenga la unidad libre de vegetación y otros materiales. Pueden alojarse entre el accesorio de corte y la protección.
- Para reducir el riesgo de incendio, cambie los silenciadores y amortiguadores de chispas defectuosos, mantenga el motor y el silenciador libre de pasto, hojas, grasa excesiva o acumulaciones de carbono.

## OTRAS ADVERTENCIAS DE SEGURIDAD

- No guarde nunca la unidad con combustible en el tanque en un edificio donde los gases puedan llegar a una llama abierta o a una chispa.
- Espere que el motor se enfríe antes de guardar o transportar la unidad. Asegúrese de que la unidad esté segura al transportarla.
- Guarde la unidad bajo llave en un lugar adecuado y seco para evitar que sea usada por personas no autorizadas y se dañe, fuera del alcance de los niños.
- Nunca moje ni rocíe la unidad con agua ni con ningún otro líquido. Mantenga las manijas secas, limpias y sin residuos. Limpie la unidad luego de cada uso, lea las instrucciones de **Limpieza y Almacenamiento**.
- Guarde estas instrucciones. Consúltelas con frecuencia y utilícelas para enseñar a otros usuarios. Si le presta esta unidad a alguien, préstele también estas instrucciones.

## GUARDE ESTAS INSTRUCCIONES

## SIMBOLOS DE SEGURIDAD E INTERNACIONALES

Este manual del operador describe los símbolos y figuras de seguridad e internacionales que pueden aparecer en este producto. Lea el manual del operador para obtener información completa acerca de la seguridad, ensamble, operación y mantenimiento y reparación.

### SIMBOLO

### SIGNIFICADO



#### • SIMBOLO DE ALERTA DE SEGURIDAD

Indica peligro, advertencia o precaución. Puede ser utilizado junto con otros símbolos o figuras.



#### • ADVERTENCIA - LEA EL MANUAL DEL OPERADOR

Lea el manual del operador y siga todas las advertencias e instrucciones de seguridad. De no hacerlo, el operador y/o los espectadores pueden sufrir graves lesiones.



#### • PARA OBTENER INFORMACION ACERCA DEL SERVICIO LLAME

1 (877) 282-8684



#### • USE PROTECCION OCULAR Y AUDITIVA

**ADVERTENCIA:** Los objetos arrojados por la unidad y el ruido fuerte pueden causar graves lesiones oculares y pérdida auditiva. Utilice protección ocular que cumpla con las normas ANSI Z87.1 y protección auditiva cuando opere esta unidad.



#### • MANTENGA ALEJADOS A LOS ESPECTADORES

**ADVERTENCIA:** Mantenga a todos los espectadores, en especial a niños y animales domésticos a por lo menos 50 pies (15 m) del área de corte.



#### • BOMBILLA DEL CEBADOR

Oprima la bombilla del cebador completa y lentamente, de 5 a 7 veces.



#### • COMBUSTIBLE SIN PLOMO

Use siempre combustible limpio, nuevo y sin plomo.



#### • INDICADOR DE ACEITE

Consulte el manual del operador para obtener información acerca del tipo correcto de aceite.



#### • LOS OBJETOS DESPEDIDOS Y LA CUCHILLA ROTATIVA PUEDEN CAUSAR GRAVES LESIONES

**ADVERTENCIA:** No opere esta unidad si la protección plástica de línea no está colocada en su lugar. Manténgase alejado del accesorio de corte giratorio.



#### • CONTROL DE ENCENDIDO Y APAGADO

ENCENDIDO / ARRANQUE / MARCHA



#### • CONTROL DE ENCENDIDO Y APAGADO

APAGADO O PARADO



#### • ADVERTENCIA DE SUPERFICIE CALIENTE

No toque el silenciador, el bastidor de engranajes ni el cilindro mientras estén calientes. Puede quemarse. Estas piezas se calientan mucho por la operación. Luego de apagar la unidad, permanecen calientes durante un tiempo breve.

# Seguridad (continuación)

## SIMBOLO



## SIGNIFICADO

- **CUCHILLA AFILADA**

**ADVERTENCIA:** La protección del accesorio de corte contiene una cuchilla afilada. Para prevenir graves lesiones, no toque la cuchilla.



- **CONTROL DEL OBTURADOR**

A • Posición de **ARRANQUE**.  
B • Posición de **MARCHA**.



**ADVERTENCIA:** La operación de toda herramienta motriz puede causar que objetos extraños sean arrojados a sus ojos. Esto puede dar lugar a graves daños oculares. Antes de comenzar la operación de una herramienta motriz, use siempre gafas o lentes de seguridad que indiquen que cumplen con las normas ANSI-Z87.1, y una máscara facial completa cuando sea necesario.

**LO SIGUIENTE SE INCLUYE COMO REFERENCIA CUANDO SE ARMA LA UNIDAD CON EL JUEGO DE ACCESORIOS PARA CORTAR MALEZAS DEL FABRICANTE.**



## ADVERTENCIA

No conecte ni use esta unidad con ningún tipo de cuchilla para cortar malezas o accesorios para cortar malezas ya que la unidad ya está instalada. El fabricante dispone de un accesorio para cortar malezas. Vea la Sección 6, Mantenimiento para obtener el número de pieza del accesorio. Use solamente el juego de accesorios del fabricante. No hacerlo podría resultar en lesiones personales serias para usted u otros o daño a la unidad.



- **CORTADORAS DE MALEZAS: Cambie la cuchilla desafilada.**

No afile la cuchilla de corte. El afilar la cuchilla puede causar que la punta se desprenda mientras está en uso. Esto puede dar lugar a graves lesiones personales.



- **SEGURIDAD DE LA RECORTADORA Y CORTADORA DE MALEZAS**

**ADVERTENCIA:** Los objetos que salen despedidos y la cortadora giratoria pueden causar graves lesiones. Mantenga a los espectadores, especialmente a los niños y animales domésticos a no menos de 50 pies (15 m) de distancia del área de corte. Debe utilizar el protector accesorio de corte mientras use el accesorio de corte de la recortadora.

# Conozca su unidad

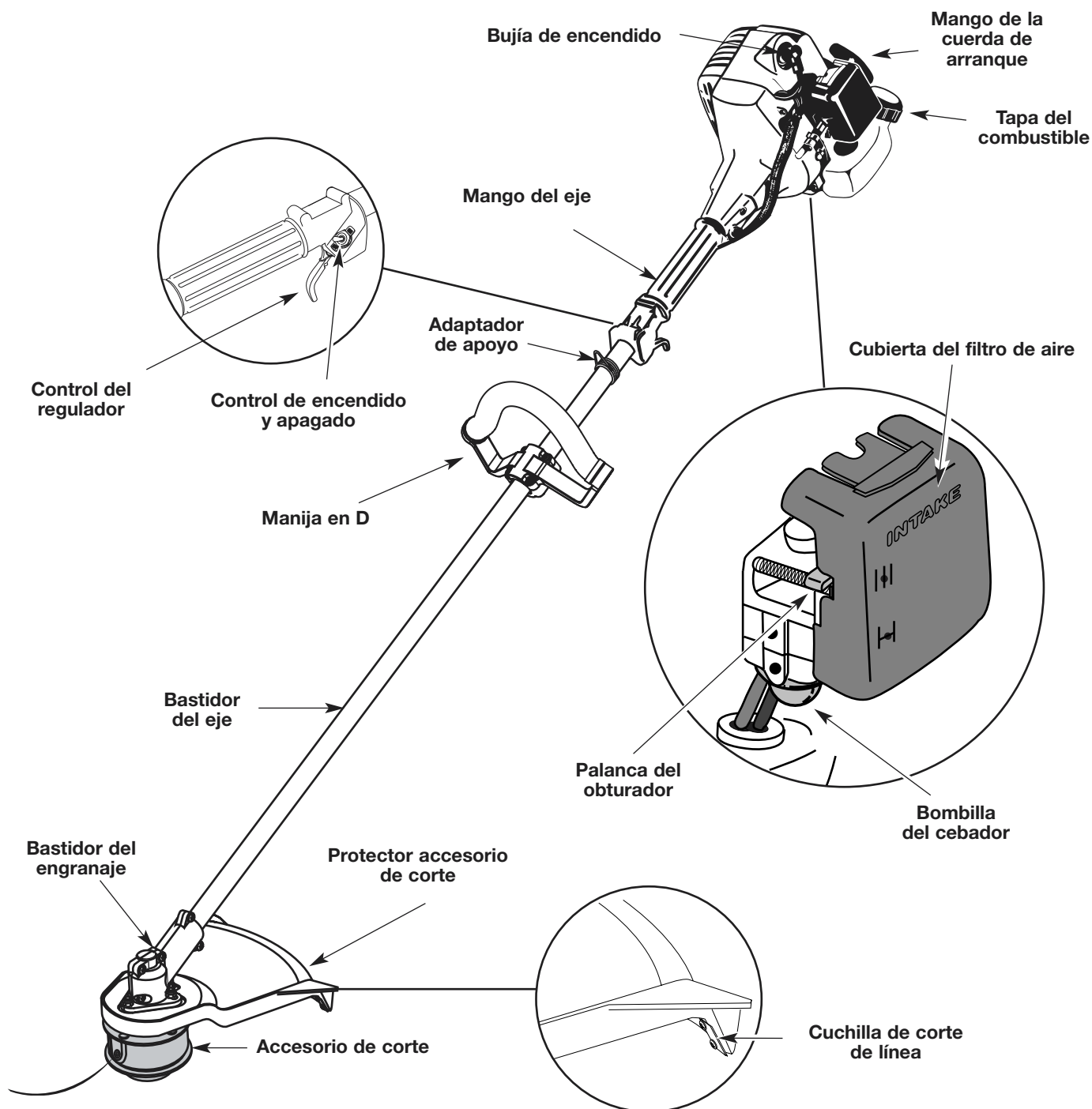
## APLICACIONES

Como recortador;

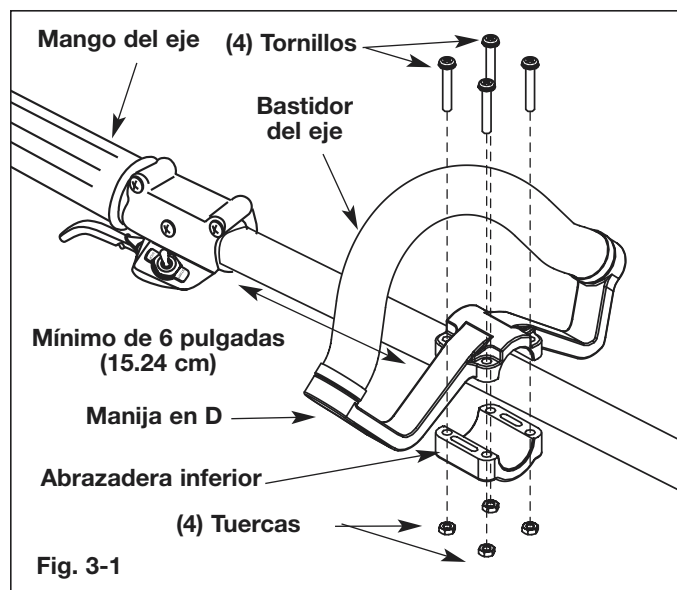
- Corte de césped y hierbas delgadas.
- Recorte de bordes
- Recorte decorativo alrededor de árboles, cercos, etc.

Con el juego opcional de accesorios para cortar malezas;

- Corte de hierbas y arbustos delgados de hasta 1/2 pulgada de diámetro.



# Armado



En algunas unidades, la manija en D puede estar ya instalada y sólo requiere aflojar los tornillos y ajustar la manija en D de acuerdo con el operador. Proceda al paso 4 para ajustar la manija en D si ya está instalada.

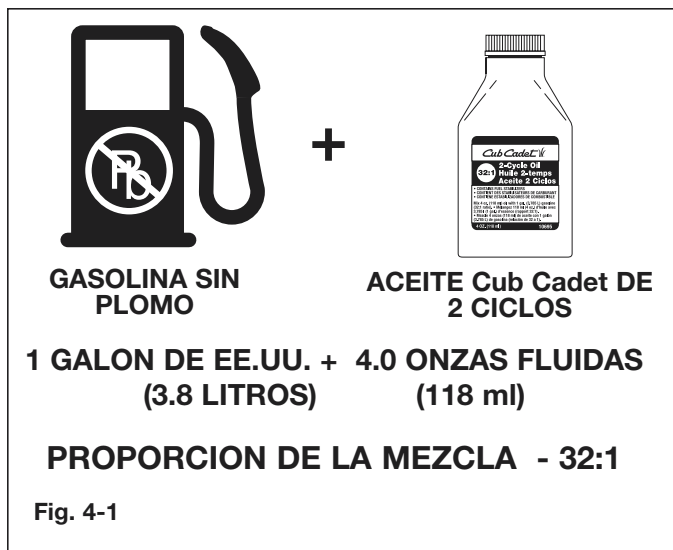
### INSTALACIÓN Y AJUSTE DE LA MANIJA EN D

1. Saque los tornillos, tuercas y la abrazadera inferior que se instalaron en la manija en D para su envío.
2. Coloque la manija en D por encima del bastidor del eje y sobre la abrazadera inferior (Fig. 3-1). Colóquela a un mínimo de 6 pulgadas (15,24 cm) desde el extremo del eje.
3. Sostenga cada tuerca hexagonal en el hueco de la abrazadera inferior con un dedo. Comience a colocar los tornillos con un destornillador. No los apriete hasta ajustar la manija.
4. Si fue preinstalada, afloje los tornillos en la manija en D lo suficiente para mover la manija en D.
5. Mientras sostiene la unidad en posición de operación (Fig. 3-2), coloque la manija en D en la posición que le brinde el mejor agarre.
6. Ajuste los tornillos de la abrazadera en forma pareja hasta que la manija en D esté firme.





# Aceite y combustible



## INSTRUCCIONES PARA MEZCLAR EL ACEITE Y EL COMBUSTIBLE

El combustible viejo o mal mezclado son los motivos principales del mal funcionamiento de la unidad. Asegúrese de usar combustible nuevo, limpio y sin plomo. Siga las instrucciones en detalle para mezclar correctamente el aceite y el combustible.

### Definición de los combustibles de mezcla

Los combustibles actuales con frecuencia son una mezcla de gasolina y oxigenantes como por ejemplo etanol, metanol o MTBE (éter). El combustible mezclado con alcohol absorbe agua. Una cantidad tan pequeña como el 1% de agua en el combustible puede causar la separación del combustible y el aceite. Forma ácidos cuando está almacenado. Cuando use combustible mezclado con alcohol, use combustible nuevo (de menos de 60 días).

### Uso de combustibles de mezcla

Si usted opta por usar un combustible de mezcla o si su uso es inevitable, tome las precauciones recomendadas.

- Use siempre una mezcla fresca de combustible según lo indica su manual del operador.
- Agite siempre la mezcla de combustible antes de cargarlo en la unidad.
- Drene el tanque y haga funcionar el motor en seco antes de guardar la unidad.

### Uso de aditivos en el combustible

La botella de aceite de 2 ciclos Cub Cadet que se incluye con la unidad contiene un aditivo para el combustible que ayudará a reducir la corrosión y la formación de depósitos de goma. Se recomienda usar solamente el aceite de 2 ciclos Cub Cadet en esta unidad.

Si es inevitable, use un buen aceite de 2 ciclos elaborado para motores enfriados por aire junto con un aditivo para el combustible como por ejemplo el estabilizador de gasolina STA-BIL® o similar. Agregue 0.8 onzas (23 ml) de aditivo de combustible por galón de combustible de acuerdo con las instrucciones del envase. NUNCA agregue aditivos directamente en el tanque de combustible de la unidad.



## PRECAUCIÓN

Para que el motor funcione correctamente y con la mayor fiabilidad, preste mucha atención a las instrucciones de mezcla de aceite y combustible del envase de aceite de 2 ciclos. El uso de combustible mezclado en forma incorrecta puede dañar seriamente el motor.

Mezcle la cantidad correcta de aceite para motores de 2 ciclos con gasolina sin plomo en una lata para combustible separada. Use una relación de combustible a aceite de 32 a 1. No los mezcle directamente en el tanque de combustible del motor. Vea la Figura 4-1 para obtener la relación correcta de combustible y aceite específica.

**NOTA: Un galón (3,8 litros) de gasolina sin plomo mezclada con una botella de 4 onzas (118 ml) de ACEITE PARA MOTORES DE 2 CICLOS Cub Cadet completa la relación entre gasolina y aceite de 32 a 1.**



## ADVERTENCIA

La gasolina es muy inflamable. Los gases pueden explotar si se encienden. Apague siempre el motor y espere que se enfríe antes de cargar el tanque de combustible. No fume mientras llena el tanque. Mantenga las chispas y las llamas lejos del área.



## ADVERTENCIA

Saque la tapa del combustible lentamente para evitar lesionarse con el rociado del combustible. No opere nunca la unidad sin la tapa del combustible firmemente colocada en su lugar.

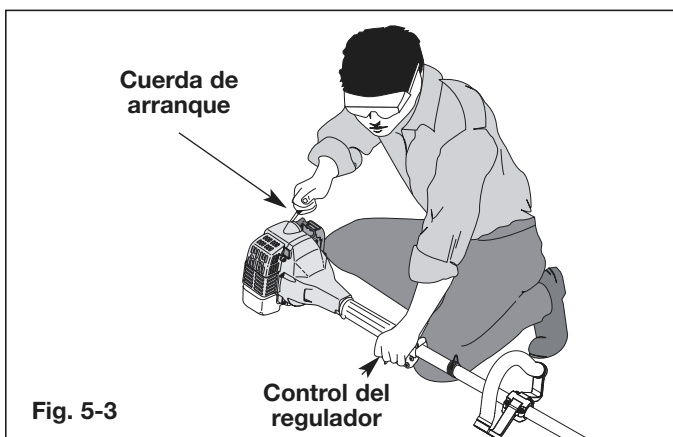
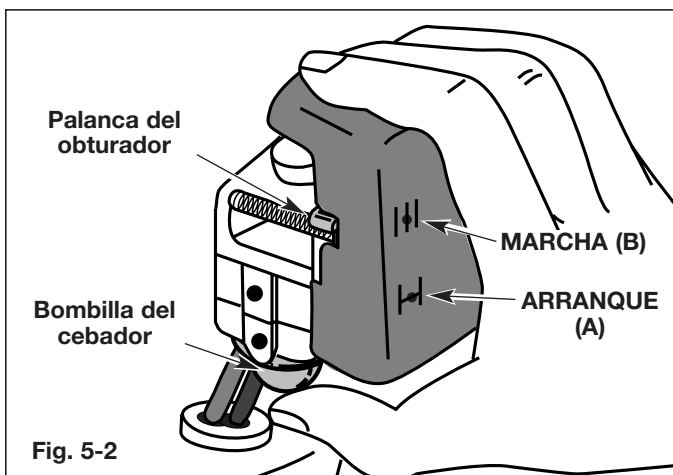
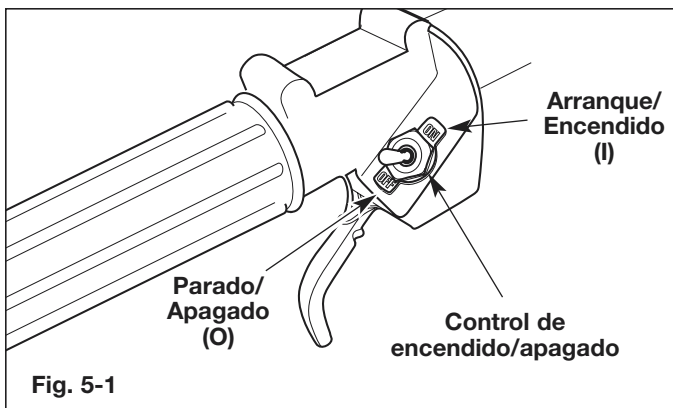


## ADVERTENCIA

Cargue el combustible en un área exterior limpia y bien ventilada. Limpie de inmediato todo combustible que se haya derramado. Evite crear una fuente de encendido con el combustible derramado. No arranque el motor hasta que se hayan evaporado los gases del combustible.

**NOTA: Elimine la mezcla vieja de aceite y combustible de acuerdo con los reglamentos federales, estatales y locales.**

# Operación



## INSTRUCCIONES DE ARRANQUE

### ⚠ ADVERTENCIA

Use esta unidad solamente en un lugar al aire libre con buena ventilación. Los vapores del escape de monóxido de carbono pueden ser mortíferos en un lugar cerrado.

### ⚠ ADVERTENCIA

Evite arrancar la unidad accidentalmente. Colóquese en posición de inicio siempre que tire de la cuerda de arranque. Para evitar lesiones personales serias, el operador y la unidad deben estar en una posición estable al comenzar.

## INSTRUCCIONES DE ARRANQUE

1. Mezcle el combustible con el aceite. Llene el tanque de combustible con la mezcla de combustible y aceite. Vea la Sección 4, Combustible y aceite.
2. Ponga el Control de encendido y apagado en la posición **Arranque [I]** (Fig. 5-1).
3. Apriete y libere completamente la bombilla del cebador lentamente 5 a 7 veces. Se deberá sentir y ver el combustible en la bombilla (Fig. 5-2). Si no ha ingresado combustible en la bombilla, oprima tres veces más, o hasta que ingrese.
4. Ponga la manija del obturador en la posición **ARRANQUE (A)** (Fig. 5-2).
5. Con la unidad en el suelo, apriete el control del acelerador y manténgalo apretado. Tire la cuerda de arranque con brío (Fig. 5-3). Continúe tirando hasta que el motor pareciera que quiere arrancar (normalmente 2 a 5 tiradas).

**NOTA:** Apriete el control del regulador hasta que el motor haya arrancado y se haya calentado.

6. Coloque la manija del obturador en la posición **MARCHA (B)** (Fig. 5-2).
7. Tire la cuerda de arranque con brío 1 a 3 veces hasta que arranque el motor. (Fig. 5-3).
8. Si el motor no arranca, repita los pasos 4 a 7.

**NOTA:** Si el motor se ahoga mientras trata de arrancar, coloque la manija del obturador en la posición **MARCHA (B)**. Apriete el control del regulador. Tire la cuerda de arranque con brío. El motor deberá arrancar luego de tres (3) a ocho (8) tiradas.

9. Apriete el control del regulador para calentar el motor durante 5 a 10 segundos. Coloque la manija del obturador en la posición **MARCHA (B)** (Fig. 5-2).

**NOTA:** Usar el obturador es innecesario cuando se hace arrancar un motor caliente. Ponga el Control de encendido y apagado en la posición **ARRANQUE (I)** (Fig. 5-1), y la manija del obturador en la posición **MARCHA (B)** (Fig. 5-2).

## INSTRUCCIONES DE APAGADO

1. Saque la mano del control del regulador (Fig. 5-3). Deje que el motor funcione a marcha lenta.
2. Para apagar el motor, ponga el Control de encendido y apagado en la posición **PARADO [O]** (Fig. 5-1).



Fig. 5-4

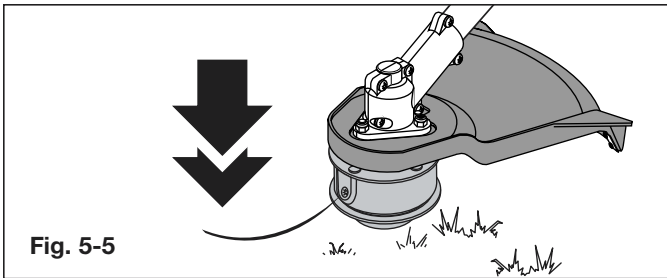


Fig. 5-5

## COMO SOSTENER EL RECORTADOR

### **ADVERTENCIA**

Use siempre protección para sus ojos, audición, pies y cuerpo para reducir el riesgo de una lesión al operar esta unidad.

Antes de operar esta unidad, párese en posición de operación (Fig. 5-4). Verifique lo siguiente:

- El operador tiene protección ocular y ropa adecuada.
- El brazo derecho está levemente doblado, y la mano está sosteniendo el mango del eje.
- El brazo izquierdo está recto, y la mano está sosteniendo la manija.
- La unidad está debajo del nivel de la cintura.
- El accesorio de corte está paralelo al suelo y hace fácil contacto con la vegetación que va a ser cortada sin que el operador tenga que inclinarse.

## AJUSTE DE LA LONGITUD DE LA LINEA DE CORTE

El accesorio de corte Bump Head le permite soltar línea de corte sin apagar el motor. Para soltar más línea, golpee suavemente el accesorio de corte contra el suelo (Fig. 5-5) mientras opera el recortador a alta velocidad.

**NOTA:** Mantenga siempre la línea de corte completamente extendida. Es más difícil soltar línea al acortarse la línea de corte.

Cada vez que se golpea la cabeza, se suelta alrededor de 1 pulgada (25.4 mm.) de línea de corte. La cuchilla en la protección del accesorio de corte detendrá la línea en la longitud correcta si se suelta demasiada línea.

Para obtener mejores resultados, golpee la Bump Head sobre terreno limpio o tierra dura. Si intenta soltar la línea sobre el césped alto, el motor podrá ahogarse. Mantenga siempre la línea de corte completamente extendida. Es más difícil soltar línea al acortarse la línea de corte.

**NOTA:** No apoye la Bump Head sobre el suelo mientras la unidad esté en funcionamiento.

### **PRECAUCION**

No saque ni altere el ensamblaje de la cuchilla limitadora de línea. La longitud excesiva de la línea causará el recalentamiento del motor. Esto puede causar graves lesiones personales o daño a la unidad.

La línea puede cortarse por:

- Enredarse con un objeto extraño
- Fatiga normal de la línea
- Intentar cortar hierbas gruesas y leñosas
- Forzar la línea en objetos como paredes o postes de cercos.

## CONSEJOS PARA OBTENER MEJORES RESULTADOS AL RECORTAR

- El ángulo correcto para ubicar el accesorio de corte es paralelo al suelo.
- No fuerce el accesorio de corte. Permita que la punta de la línea realice el corte (en especial a lo largo de paredes). Si corta con más de la punta reducirá la eficacia del corte y puede sobrecargar el motor.
- Corte césped de más de 8 pulgadas (200 mm.) trabajando de arriba hacia abajo en pequeños incrementos para evitar el desgaste prematuro de la línea y el arrastre del motor.
- Corte de derecha a izquierda siempre que sea posible. Cortar hacia la izquierda mejora la eficiencia de la unidad. Los recortes salen arrojados en sentido contrario al operador.
- Mueva lentamente el recortador dentro y fuera del área de corte a la altura deseada. Realice movimientos ya sea de adelante hacia atrás y viceversa, o de lado a lado. El corte en longitudes más cortas produce mejores resultados.
- Recorte únicamente cuando el pasto y las hierbas estén secas.
- La vida de su línea de corte depende de:
  - Seguir todas las técnicas de corte indicadas anteriormente
  - El tipo de vegetación que corte
  - El lugar donde se corta

Por ejemplo, la línea se desgastará más rápido cuando corte contra un muro que cuando corte alrededor de un árbol.

## Operación (continuación)

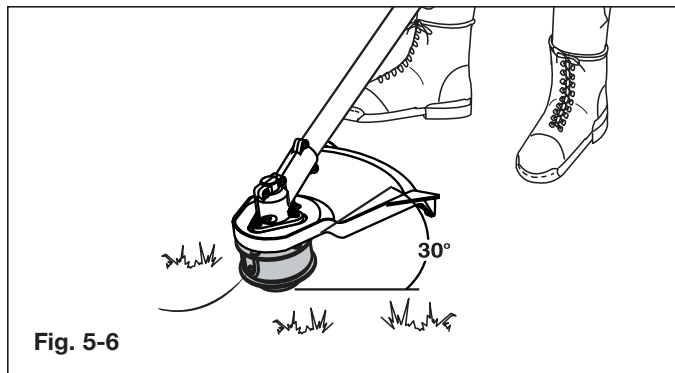


Fig. 5-6

### RECORTE DECORATIVO

El recorte decorativo se realiza eliminando toda la vegetación de alrededor de los árboles, postes, cercos, etc.

Gire toda la unidad a modo de que el accesorio de corte se ubique a un ángulo de 30° con el suelo (Fig 5-6).

## Sección 6

# Mantenimiento

**NOTA:** Algunos procedimientos de mantenimiento pueden requerir el uso de herramientas o habilidades especiales. Si no está seguro acerca de estos procedimientos, lleve su unidad a un proveedor de servicio autorizado.

### PROGRAMA DE MANTENIMIENTO

Estos procedimientos requeridos para el mantenimiento deben ser realizados con la frecuencia indicada en la tabla. Deben ser incluidos como parte de toda puesta a punto de cada temporada.



### ADVERTENCIA

Para evitar graves lesiones personales, no realice nunca ningún mantenimiento ni reparación con la unidad en marcha. Realice siempre el mantenimiento y reparaciones con la unidad fría. Desconecte el cable de la bujía de encendido para asegurar que la unidad no arrancará.

CUANDO	MANTENIMIENTO NECESARIO	PASE A LA:
Antes de que arranque el motor	Llene el tanque de combustible con la mezcla correcta de combustible y aceite.	Página 9
Cada 10 horas	Limpiar y volver a aceitar el filtro de aire.	Página 15
Cada 25 horas	Examine el parachispas y límpielo. Verifique la condición y la separación de la bujía de encendido.	Página 15 Página 17

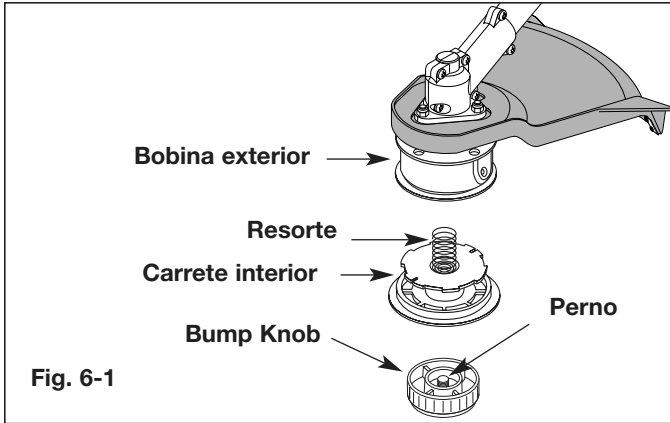


Fig. 6-1

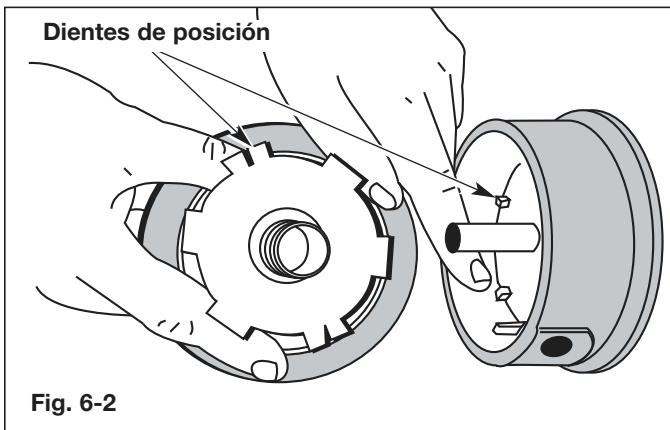


Fig. 6-2

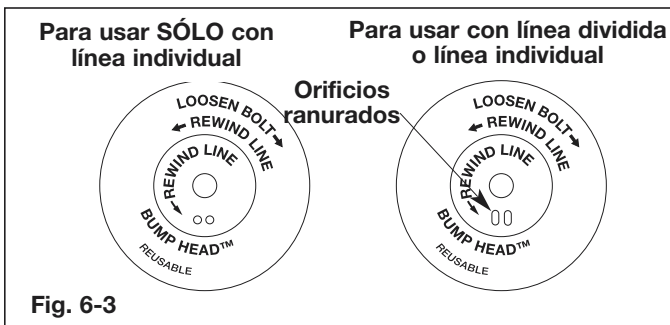


Fig. 6-3

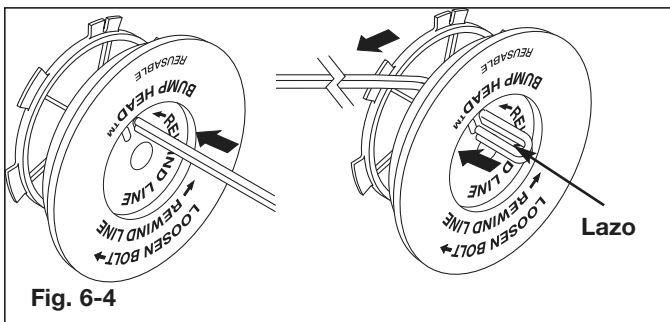


Fig. 6-4

## INSTALACION DE LA LINEA

Esta sección cubre la instalación de la línea dividida y de una línea estándar.

Use siempre la línea de repuesto de 0.105 pulgadas (2.67 mm) del fabricante. Usar otro tipo de línea podría causar que el motor recaliente o falle.

## ADVERTENCIA

**No use nunca línea reforzada con metal, alambre, cadena ni sogas, etc. Estos elementos pueden desprenderse y convertirse en un proyectil peligroso.**

Existen dos métodos para cambiar la línea de corte.

- Bobine el carrete interior con línea nueva.
- Instale un carrete interior prebobinado

### Bobinado del carrete interior existente

1. Sostenga la bobina exterior con una mano y desenrosque el Bump Knob en sentido antihorario (Fig. 6-1). Inspeccione el perno de adentro del Bump Knob para verificar que se mueva con libertad. Cambie el Bump Knob si está dañado.
2. Saque el carrete interior de la bobina exterior (Fig. 6-1).
3. Saque el resorte del carrete interior (Fig. 6-1).
4. Use un paño limpio para limpiar el carrete interior, el resorte, el eje y la bobina exterior.
5. Verifique el desgaste de los dientes de posición del carrete interior y bobina exterior (Fig. 6-2). Si es necesario, saque la rebaba o cambie el carrete y la bobina.

**NOTA:** La línea dividida solamente puede usarse con el carrete interior con ranuras. En el caso de una línea individual pueden usarse cualquier tipo de carrete interior. Use la Figura 6-3 para identificar el carrete interior existente.

**NOTA:** Use siempre la longitud correcta de la línea cuando instala en la unidad línea para el recortado. Si la línea es demasiado larga, no funcionará correctamente.

### Instalación de la línea individual

#### Pase al paso 8 para la instalación de la línea dividida

6. Tome aproximadamente 30 pies (9.1 m) de nueva línea de corte, enlázala en dos longitudes iguales. Inserte cada extremo de la línea a través de uno de los dos orificios del carrete interior (Fig. 6-4). Pase la línea a través del carrete interior de modo que el lazo sea lo más pequeño posible.
7. Bobine las líneas en capas parejas y ajustadas sobre el carrete (Fig. 6-5). Bobine la línea en la dirección indicada en el carrete interior. Coloque su dedo índice entre las dos líneas para evitar que se superpongan. No superponga los extremos de la línea. Proceda al paso 11.

# Mantenimiento (continuación)

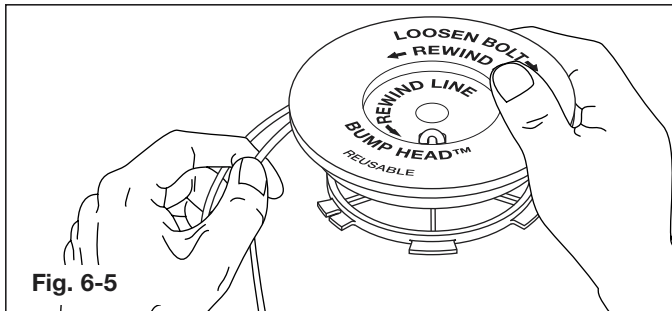


Fig. 6-5

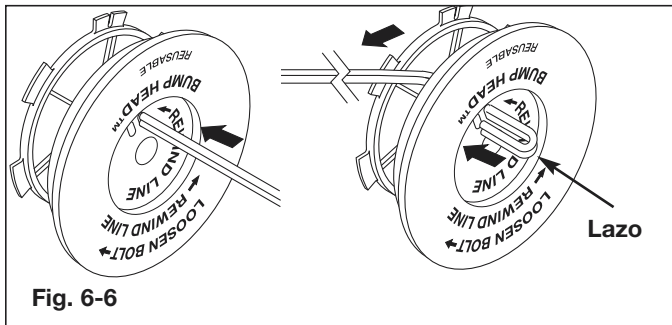


Fig. 6-6

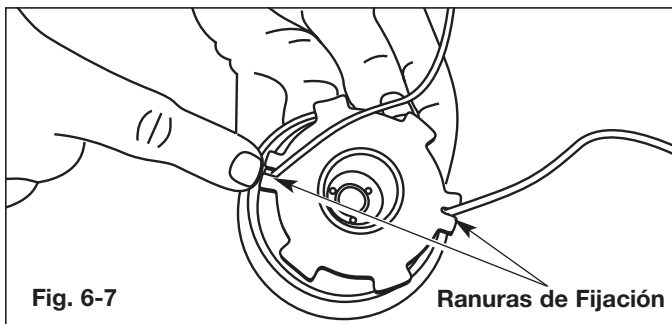


Fig. 6-7

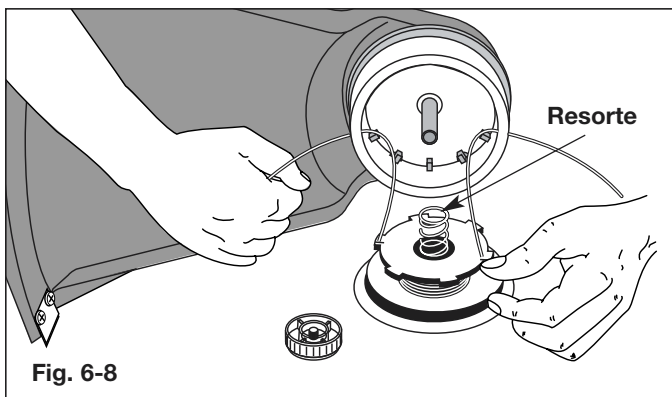


Fig. 6-8

## Instalación de la línea dividida

8. Tome aproximadamente 15 pies (4.6 m) de nueva línea de corte. Inserte un extremo de la línea a través de uno de los orificios del carrete interior (Fig. 6-6). Pase la línea a través del carrete interior hasta que queden sólo 4 pulgadas fuera.
9. Inserte el extremo de la línea en el orificio abierto del carrete interior y tire de la línea en forma ajustada a fin de que el lazo sea lo más pequeño posible (Fig. 6-6).
10. Antes de bobinar, separe la línea alrededor de 6 pulgadas.
11. Bobine la línea en capas parejas y ajustadas en la dirección indicada en el carrete interior.

**NOTA:** Si no bobina la línea en la dirección indicada, el accesorio de corte no funcionará en forma correcta.

12. Inserte los extremos de la línea en las dos ranuras de fijación (Fig. 6-7).
13. Inserte los extremos de la línea a través de los ojalillos de la bobina exterior y coloque el carrete interior con el resorte dentro de la bobina exterior (Fig. 6-8). Empuje el carrete interior y la bobina exterior entre sí. Mientras sostiene el carrete interior y la bobina exterior, tome los extremos y tire con firmeza para soltar la línea de las ranuras de fijación de la bobina.

**NOTA:** El resorte debe estar ensamblado en el carrete interior antes de volver a ensamblar el accesorio de corte.

14. Sostenga el carrete interior en su lugar e instale el Bump Knob girándolo en sentido horario. Ajuste bien.

## INSTALACIÓN DE UN CARRETE PREBOBINADO

1. Sostenga la bobina exterior con una mano y desenrosque el Bump Knob en sentido antihorario (Fig. 6-1, Pág. 18). Inspeccione el perno dentro del Bump Knob para verificar que se mueva con libertad. Cambie el Bump Knob si está dañado.
2. Saque el carrete interior viejo de la bobina exterior (Fig. 6-1, Pág. 18).
3. Saque el resorte del carrete interior viejo (Fig. 6-1, Pág. 18).
4. Coloque el resorte en el carrete interior nuevo.

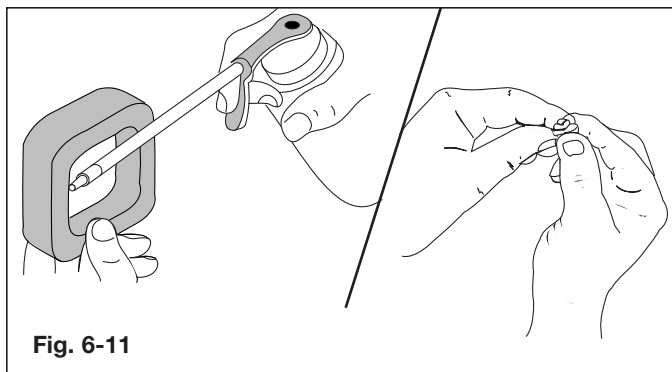
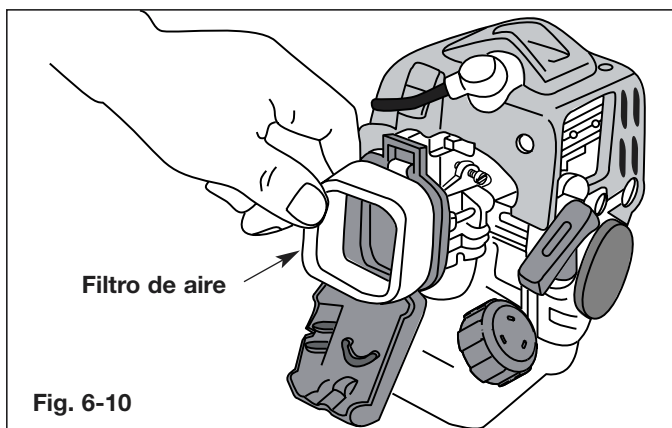
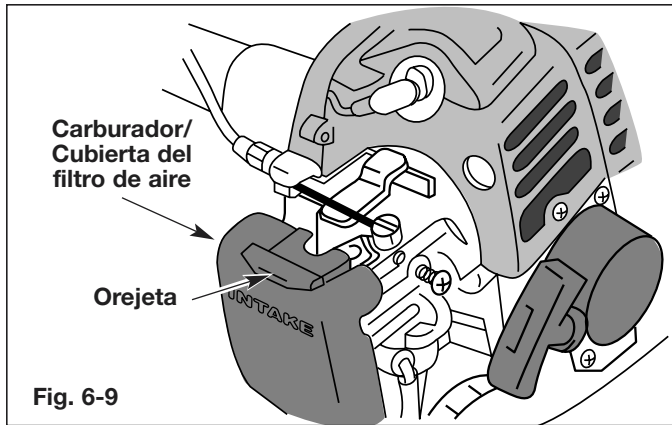
**NOTA:** El resorte debe estar ensamblado en el carrete interior antes de volver a instalar el accesorio de corte.

5. Inserte los extremos de la línea en los ojalillos de la bobina exterior (Fig. 6-8).
6. Coloque el nuevo carrete interior dentro de la bobina exterior. Empuje el carrete interior y la bobina exterior entre sí. Mientras sostiene el carrete interior y la bobina exterior, tome los extremos y tire con firmeza para soltar la línea de las ranuras de retención de la bobina.
7. Sostenga el carrete interior en su lugar e instale el Bump Knob girándolo en sentido horario. Ajuste bien.

## Piezas de repuesto:

Lea Piezas y Accesorios de Repuesto en la página 18.

# Mantenimiento (continuación)



## MANTENIMIENTO DEL FILTRO DE AIRE

### Limpieza del filtro de aire

#### **⚠ ADVERTENCIA**

Para evitar graves lesiones personales, apague siempre su recortador y espere que se enfríe antes de limpiarlo o realizar cualquier tipo de mantenimiento.

Limpie y vuelva a aceitar el filtro de aire cada 10 horas de operación. Es un elemento importante del mantenimiento. No mantener el filtro de aire **CANCELARÁ** la garantía.

1. Saque la cubierta del filtro de aire/carburador empujando la lengüeta de arriba de la cubierta (Fig. 6-9).
2. Saque el filtro de aire (Fig. 6-10).
3. Lave el filtro en detergente y agua. Enjuague el filtro completamente y déjelo que se seque.
4. Aplique suficiente aceite de motor limpio SAE 30 para apenas recubrir el filtro (Fig. 6-11).
5. Apriete el filtro para desparramar y eliminar el exceso de aceite (Fig. 6-11).
6. Vuelva a instalar el filtro (Fig. 6-10) y la cubierta del filtro de aire (Fig. 6-9).

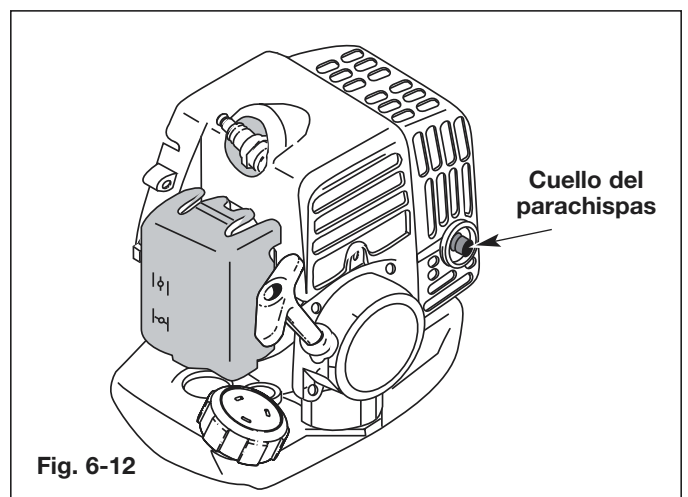
**NOTA:** Si la unidad funciona sin el filtro de aire, **CANCELARÁ** la garantía.

## MANTENIMIENTO DEL PARACHISPAS

#### **⚠ ADVERTENCIA**

Para evitar lesiones personales graves, siempre apague la podadora y permita que se enfríe antes de limpiarla o hacerle cualquier mantenimiento.

1. Voltee el cabezal motorizado de manera que la parte posterior del motor apunte hacia adelante. En esa posición, la cuerda de arranque queda a la izquierda (Fig. 6-12).



## Mantenimiento (continuación)

- Use un alicate puntiagudo para agarrar el cuello del parachispas y hálalo del silenciador. (Fig. 6-13).

**NOTA:** Use alicates puntiagudos únicamente. Cualquier otro alicate o herramienta puede dañar el parachispas.

- Limpie el parachispas con un cepillo de cerdas metálicas. Cámbielo si está dañado o si no lo puede limpiar completamente.
- Vuelva a poner el parachispas. Use el alicate puntiagudo para empujar cuidadosamente el parachispas de nuevo en el silenciador, hasta que encaje en su lugar.

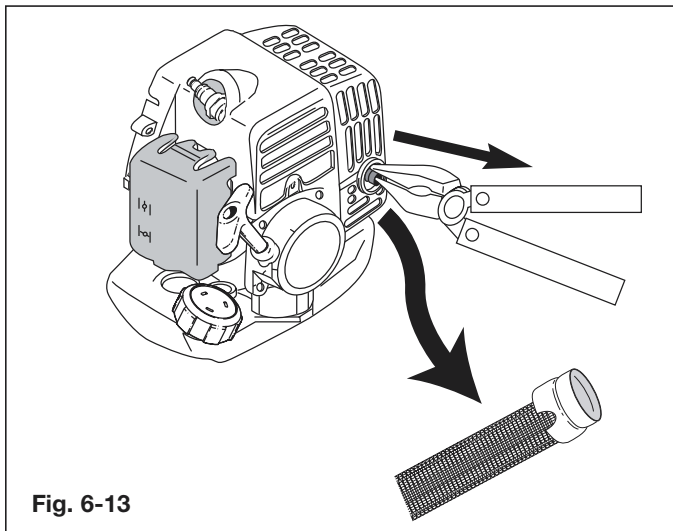


Fig. 6-13

### AJUSTE DEL CARBURADOR

La velocidad a marcha lenta del motor se ajusta con el tornillo que está al lado de la cubierta del filtro de aire (Fig. 6-14).

**NOTA:** Los ajustes realizados sin cuidado pueden dañar seriamente su unidad. Los ajustes del carburador deben ser realizados por un proveedor de servicio autorizado.

#### Controle la mezcla del combustible

El combustible viejo o mezclado indebidamente es en general el motivo del funcionamiento incorrecto de la unidad. Drene y vuelva a llenar el tanque con combustible fresco, correctamente mezclado antes de hacer ningún ajuste. Consulte la **Sección 5, Aceite y Combustible**.

#### Limpie el filtro de aire

La condición del filtro de aire es importante para la operación de la unidad. Un filtro de aire sucio limitará el flujo de aire y cambiará la mezcla de combustible y aire. Esto con frecuencia se confunde con un carburador mal ajustado. Verifique la condición del filtro de aire antes de ajustar el tornillo de marcha lenta. Consulte la **Sección 6, Mantenimiento**.

### Ajuste del tornillo de marcha lenta

#### **! ADVERTENCIA**

**El accesorio de corte puede estar girando durante los ajustes del carburador. Use ropa que lo proteja y cumpla con todas las instrucciones de seguridad para prevenir graves lesiones personales.**

Si luego de verificar la mezcla del combustible y limpiar el filtro de aire el motor aún no funciona en mínima, ajuste el tornillo de velocidad lenta de la siguiente manera.

- Arranque el motor y deje que funcione en marcha rápida durante un minuto para que se caliente.
- Suelte el gatillo del regulador y deje que el motor funcione a marcha lenta. Si el motor se para, inserte un pequeño destornillador Phillips o plano en el tornillo que está al lado de la cubierta del filtro de aire (Fig. 6-14). Gire el tornillo de ajuste de marcha lenta, en el sentido horario de a 1/8 de vuelta por vez (según sea necesario) hasta que el motor funcione a marcha lenta en forma pareja.

**NOTA:** El accesorio de corte no debe girar cuando el motor está funcionando en mínima.

- Si el accesorio de corte gira cuando el motor está funcionando en mínima, gire el tornillo de marcha lenta en sentido antihorario de a 1/8 de vuelta por vez (según sea necesario) para reducir la velocidad mínima.

El control de la mezcla de combustible, la limpieza del filtro de aire y el ajuste del tornillo de marcha lenta deben resolver la mayoría de los problemas del motor.

De no ser así y si

- El motor no funciona en mínima,
- El motor fluctúa o se para al acelerar,
- Existe una pérdida de fuerza motriz,

Lleve el carburador a un proveedor de servicio autorizado para que lo ajuste.

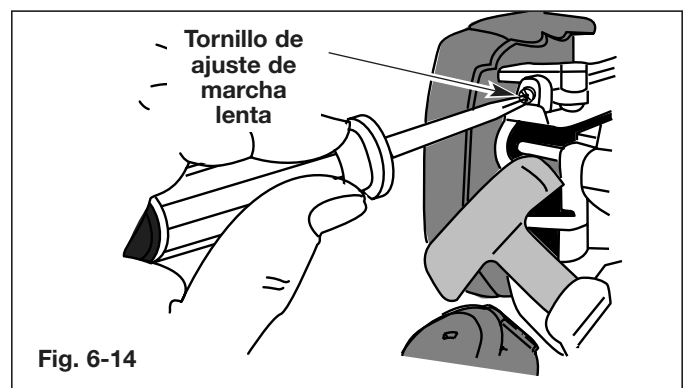


Fig. 6-14



## CAMBIO DE LA BUJÍA DE ENCENDIDO

Use una bujía de encendido Champion RCJ6Y (o similar). La separación correcta es de 0.025 pulgadas (0.655 mm.). Retire la bujía luego de cada 25 horas de operación e inspeccione su estado.

1. Apague el motor y espere que se enfríe. Tome el alambre de la bujía con firmeza y sáquelo de la bujía de encendido.
2. Limpie alrededor de la bujía de encendido. Saque la bujía de encendido de la cabeza del cilindro girando una llave de casquillo de 5/8 de pulgada en sentido antihorario.
3. Cambie las bujías que estén rajadas, sucias o deterioradas. Fije la separación de aire a 0.025 pulgadas (0.655 mm.) utilizando un calibrador (Fig. 6-15).



## PRECAUCIÓN

**No limpie con chorro de arena, ni raspe ni limpie los electrodos. El motor podría dañarse si penetran pequeñas partículas en el cilindro.**

4. Instale una bujía de encendido con la separación correcta en la cabeza del cilindro. Ajuste girando la llave de casquillo de 5/8 pulg. en sentido horario hasta que esté ajustada sin huelgo.

Si usa una llave de torsión, ajuste a:

110-120 pulg. • libras (12.3-13.5 N•m).

**No ajuste demasiado.**

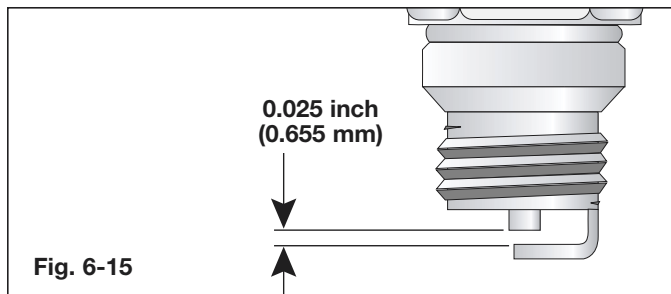


Fig. 6-15

## ACCESORIOS/REPUESTOS

Bujía de encendido .....	791-181765
Amortiguador de chispas .....	791-182153
Cartucho con línea de repuesto .....	153-1160
Resorte del carrete interior .....	791-610636
Equipo de la cabeza Bump Knob .....	791-180814
Tapa de combustible .....	791-180000
Juego de accesorios para cortar malezas ....	41AM079G100
Arnés para el hombro .....	791-682075
Aceite de 2 tiempos Voltee y Vierta (16 oz.) ....	791-180965

Estas piezas de repuesto se pueden comprar al vendedor minorista al que le compró la recortadora o al distribuidor local de Cub Cadet.

## LIMPIEZA



## ADVERTENCIA

**Para evitar graves lesiones personales, apague siempre su recortador y espere que se enfríe antes de limpiarlo o realizar cualquier tipo de mantenimiento.**

Use un cepillo pequeño para limpiar la parte exterior de la unidad. No use detergentes fuertes. Los limpiadores domésticos que contienen aceites aromáticos como pino y limón, y con solventes como el queroseno pueden dañar el bastidor de plástico y la manija. Seque toda la humedad con un paño suave.

## ALMACENAMIENTO

- No guarde nunca la unidad con combustible en el tanque donde los vapores puedan llegar a una llama o chispa.
- Espere que el motor se enfríe antes de guardar la unidad.
- Guarde la unidad bajo llave para prevenir el uso por personas no autorizadas y su daño.
- Guarde la unidad en un área seca y bien ventilada.
- Guarde la unidad fuera del alcance de los niños.

## ALMACENAMIENTO PROLONGADO

Si planea guardar la unidad durante un largo período de tiempo,

1. Drene todo el combustible del tanque de combustible en un recipiente. No use combustible que haya permanecido guardado durante más de 60 días. Deseche la mezcla vieja de combustible y aceite de acuerdo a las regulaciones federales, estatales y locales.
2. Arranque el motor y déjelo funcionar hasta que se ahogue. Esto asegura que todo el combustible ha sido drenado del carburador.
3. Espere que el motor se enfríe. Retire la bujía de encendido y coloque alrededor de 1 onza (30 ml) de cualquier aceite para motor de buena calidad dentro del cilindro. Tire de la cuerda de arranque lentamente para esparcir el aceite. Vuelva a instalar la bujía de encendido.

**NOTA: Saque la bujía de encendido y drene todo el aceite del cilindro antes de intentar arrancar el recortador después de su almacenamiento.**

4. Limpie bien la unidad e inspeccione para ver si existen partes flojas o dañadas. Repare o cambie las partes dañadas y ajuste los tornillos, tuercas o pernos que puedan estar flojos. La unidad está ahora lista para ser guardada.

## TRANSPORTE

- Espere que el motor se enfríe antes de transportar la unidad.
- Asegure la unidad durante su transporte.
- Drene el tanque de combustible antes de transportar la unidad.
- Ajuste la tapa del tanque de combustible antes de transportar la unidad.

# Solución de desperfectos

### EL MOTOR NO ARRANCA

#### CAUSA

El control de apagado On/Off está en posición de OFF  
El tanque de combustible está vacío  
La bombilla de cebado no fue oprimida lo suficiente  
  
El motor está inundado  
  
El combustible es viejo o está mal mezclado  
  
La bujía de encendido está arruinada  
Parachispas obstruido

#### ACCION

Gire el control de apagado On/Off a ON  
Llene el tanque con combustible bien mezclado  
Oprima la bombilla de cebado total y lentamente de 5 a 7 veces  
Use el procedimiento de arranque con la palanca del obturador en la posición de marcha (RUN), Pág. 11  
Drene el tanque de gasolina / Agregue mezcla de combustible nueva  
Cambie o limpie la bujía de encendido  
Limpie o cambie el parachispas

### EL MOTOR NO FUNCIONA EN MINIMA

#### CAUSA

El filtro de aire está obstruido  
El combustible es viejo o está mal mezclado  
  
El carburador no está ajustado en forma correcta

#### ACCION

Cambie o limpie el filtro de aire  
Drene el tanque de gasolina / Agregue mezcla de combustible nueva  
Ajuste según las instrucciones Pág. 16

### EL MOTOR NO ACELERA

#### CAUSA

El combustible es viejo o está mal mezclado  
  
El carburador no está ajustado en forma correcta  
  
El accesorio de corte está atascado de hierba  
El filtro de aire está sucio  
Parachispas obstruido

#### ACCION

Drene el tanque de gasolina / Agregue mezcla de combustible nueva  
Lleve la unidad a un proveedor de servicio autorizado para hacer un ajuste de carburador  
Pare el motor y limpie el accesorio de corte  
Limpie o cambie el filtro de aire  
Limpie o cambie el parachispas

### EL MOTOR NO TIENE SUFICIENTE POTENCIA O SE AHOGA AL CORTAR

#### CAUSA

El combustible es viejo o está mal mezclado  
  
El carburador no está ajustado en forma correcta  
  
La bujía de encendido está arruinada  
Parachispas obstruido

#### ACCION

Drene el tanque de gasolina / Agregue mezcla de combustible nueva  
Lleve la unidad a un proveedor de servicio autorizado para hacer un ajuste de carburador  
Cambie o limpie la bujía de encendido  
Limpie o cambie el parachispas

### LA CABEZA DE CORTE NO HACE AVANZAR LINEA

#### CAUSA

El accesorio de corte está atascado de hierba  
El accesorio de corte no tiene línea  
El carrete interior está trabado  
La cabeza de corte está sucia  
La línea se ha soldado  
  
La línea se retorció al reponerla  
No hay suficiente línea expuesta

#### ACCION

Pare el motor y limpie el accesorio de corte  
Coloque una línea nueva  
Cambie el carrete interior  
Limpie el carrete interior y la bobina exterior  
Desarme, saque la sección soldada y rebobine la línea  
Desarme y rebobine la línea  
Oprima la perilla percusiva y tire de la línea hasta sacar 4 pulgadas (102 mm) de línea fuera del accesorio de corte.

# Especificaciones

## MOTOR

Tipo de motor	Enfriado por aire, de 2 ciclos
Desplazamiento	1.4 pulg. cúbicas (25 cc)
Tipo de embrague	Centrífugo
R.P.M. de marcha lenta	2,400-3,600 r.p.m.
R.P.M. de operación	7,000-8,600 r.p.m.
Tipo de encendido	Electrónico
Interruptor de encendido	Interruptor deslizante
Separación de la bujía de encendido	0.025 pulgadas (0.655 mm)
Lubricación	Mezcla de aceite y combustible
Proporción de combustible y aceite	32:1
Carburador	Diafragma, multiposicional
Arranque	Rebobinado automático
Silenciador	Desviado con protección
Regulador	Retroceso manual a resorte
Capacidad del tanque de combustible	20 onzas (591 ml)

## EJE IMPULSOR Y CABEZA DE CORTE

Bastidor del eje impulsor	Tubo de aluminio
Control del regulador	Gatillo para el dedo
Peso de la unidad (sin combustible, con la cabeza limitadora de línea, la protección de la línea y la manija de bucle)	11 libras (4.9 kg)
Mecanismo de corte	Cabeza percusiva
Diámetro de la bobina de línea	101.6 mm (4 pulgadas)
Diámetro de la línea de corte	0.105 pulgadas (2.67 mm)
Diámetro de la trayectoria de corte	18 pulgadas (44 cm)

## GARANTÍA LIMITADA DEL FABRICANTE PARA:

# Cub Cadet

La garantía limitada establecida debajo la concede Cub Cadet LLC para mercancías nuevas que sean compradas y usadas en los Estados Unidos, sus posesiones y territorios.

Cub Cadet LLC garantiza este producto contra defectos en el material y la mano de obra durante un período de dos (2) años, a partir de la fecha de compra original y a su entera opción, arreglará o substituirá sin costo alguno cualquier pieza cuyo material o mano de obra se considere defectuoso. Esta garantía limitada se deberá aplicar únicamente si este producto ha sido manejado y mantenido de acuerdo al Manual del Operador incluido con el producto y, si no ha sido sometido a mal uso, abuso, uso comercial, negligencia, accidente, mantenimiento inapropiado, alteración, vandalismo, hurto, fuego, agua o daños debido a otros riesgos o desastre natural. Los daños ocasionados por la instalación o el uso de cualquier accesorio o aditamento que no esté aprobado por Cub Cadet LLC para que sea usado con el (los) producto(s) contemplados en este manual, anularán la garantía con respecto a cualquier daño resultante. Esta garantía está limitada a noventa (90) días a partir de la fecha de compra original al detalle de cualquier producto Cub Cadet que se use para alquiler, para propósitos comerciales o cualquier otro propósito que genere ingreso.

**CÓMO OBTENER SERVICIO:** El servicio de garantía se encuentra disponible A TRAVÉS DE SU DISTRIBUIDOR DE SERVICIO LOCAL AUTORIZADO, AL PRESENTAR UN COMPROBANTE DE COMPRA. Para localizar al distribuidor en su área, visite nuestro sitio en Internet en [www.cubcadet.com](http://www.cubcadet.com), busque el aviso clasificado en las Páginas Amarillas, llame al 1 (877) 282-8684 o escriba a P.O. Box 361131, Cleveland, OH 44136-9722.

**Esta garantía limitada no ofrece cobertura en los siguientes casos:**

- A. Sincronizaciones - bujías, ajustes de carburadores, filtros.
- B. Artículos de desgaste, perillas para choque, carretes externos, línea de corte, carretes internos, polea de arranque, cuerdas de arranque, correas motoras.
- C. Cub Cadet no le ofrece ninguna garantía a los productos que sean vendidos o exportados fuera de los Estados Unidos de América, sus posesiones y territorios, excepto aquellos que se vendan a través de los canales de distribución para exportación autorizados por Cub Cadet.

Cub Cadet se reserva el derecho a cambiar o mejorar el diseño de cualquier producto Cub Cadet, sin asumir ninguna obligación para modificar ningún producto fabricado con anterioridad.

**Ninguna garantía implícita es aplicable, incluyendo cualquier garantía implícita de comerciabilidad o idoneidad para un propósito particular, después del período aplicable de la garantía expresa escrita con anterioridad, con respecto a las piezas identificadas. Exceptuando lo mencionado con anterioridad, ninguna otra garantía bien sea escrita o verbal con respecto a cualquier producto que sea concedida por cualquier persona o entidad, incluyendo al distribuidor o minorista, deberá comprometer a Cub Cadet LLC durante el período de la Garantía, el remedio exclusivo es el arreglo o la sustitución del producto según lo establecido arriba. (Algunos estados no permiten limitaciones en cuanto al período de duración de una garantía implícita, de manera que puede que la limitación anterior no sea aplicable en su caso.)**

**Las estipulaciones establecidas en esta Garantía ofrecen la solución única y exclusiva que resulte de las ventas. Cub Cadet no deberá ser responsable de pérdidas o daños incidentales o resultantes que incluyan, sin limitación, erogación de gastos debido a la sustitución de servicios de mantenimiento de prados, transporte o gastos relacionados o gastos de alquiler para reemplazar temporalmente un producto bajo garantía. (Algunos estados no permiten limitaciones en cuanto al período de duración de una garantía implícita, de manera que puede que la limitación anterior no sea aplicable en su caso.)**

La recuperación de cualquier tipo no deberá ser superior al precio de compra del producto vendido en ningún caso. La alteración de las características de seguridad del producto deberá anular la garantía. Usted asume el riesgo y la obligación de la pérdida, daño o lesión en su persona o a su propiedad y/o la de otras personas y sus propiedades, que se origine a raíz del uso o mal uso, o la incompetencia para usar el producto.

Esta garantía limitada no deberá cubrir a ninguna otra persona distinta al comprador original, arrendatario original, o la persona para la cual se compró en calidad de regalo.

**Relación de las leyes estatales con esta Garantía:** Esta garantía le confiere derechos legales específicos, y puede que usted también tenga otros derechos, los cuales varían en cada estado.

Para localizar al distribuidor de servicio local más cercano, marque el número 1 (877) 282-8684

**Cub Cadet LLC**

P.O. Box 361131

Cleveland, OH 44136-0019